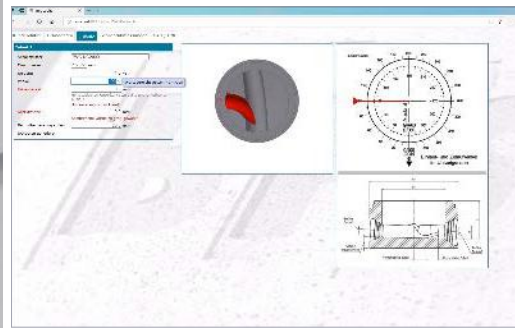
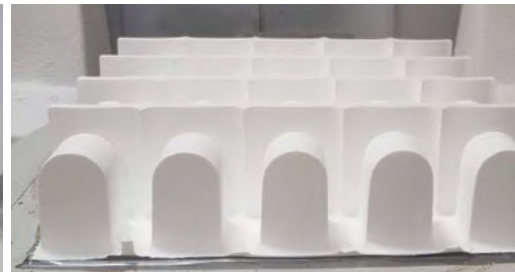




Prima Base Monolithic Manhole Base Solutions



A Smarter Way to Wetcast

- Intelligent channel configurator software
- Precision milling systems

Prima 360 is our innovative family of wetcast equipment and automation systems. Prima leverages a wide range of technologies we've developed internally to bring you the power to get wetcast products to market faster and with the utmost quality. No matter the size of your operation or range of products you make, we have a Prima to meet your needs and budget. With Prima you'll enhance productivity, reduce labor issues, increase throughput, and, ultimately, win more business.

Prima

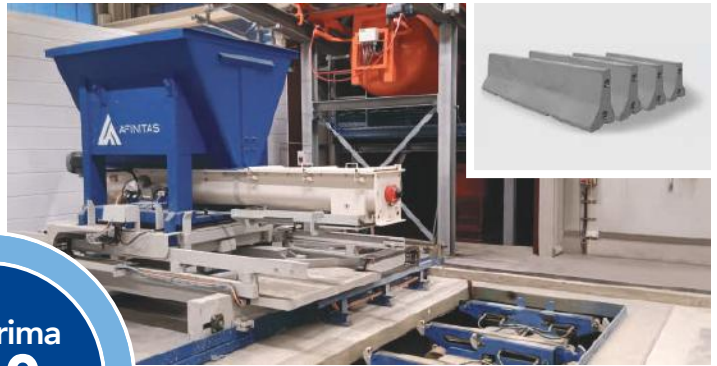
Cutting-edge wetcast automation system designed to bring assembly line efficiency to the production of infrastructural products.

Prima is the ultimate system to take the guesswork and variability out of your wetcast product production. With a state-of-the-art production loop, automatic inventory management system and real-time analytics, Prima's highly optimized work stations reduce labor and increase throughput. Prima simplifies planning and provides all the metrics needed to optimize processes at every level of production.

Prima Fit

Ingenious automation that flexes to your factory footprint or precast concrete product requirements.

Prima Fit—as the name suggests—is wetcast automation that scales to fit your requirements. It's a powerful, yet economical option that utilizes vertical product stacking to maximize floor space. In addition, Prima Fit can be easily configured to produce specialty precast structures that would require extra space and set up time on other systems. The flexibility and affordability of Prima Fit makes it an excellent choice to optimize your wetcast operations without breaking the bank.



Prima Base

Maximize production efficiency, range and consistency of monolithic manhole bases.

Prima Base is an intuitive design software for creating limitless channel flow options for monolithic manhole bases. Prima Base transforms the labor-intensive, inconsistent traditional methods of producing monolithic manhole bases using an intelligent digital configurator and precision EPS milling system. Increase your output and quality while reducing rework with Prima Base.

Prima Scope

Experience the beauty and precision of concrete slab and veneer production automation.

Prima Scope draws upon decades of vibration technology to help you create visually appealing and mechanically precise slabs, pavers, veneers and more. With one automated system, create reproductions of natural stones, slate, granite or terracotta in exact laying units for flooring, pool and fountain slabs, patios, deck slabs and other residential and commercial applications.

The power of our monolithic manhole base solutions will further strengthen your automated processes. Our innovative design and manufacturing system transforms the labor-intensive, inconsistent methods of producing monolithic manhole bases, and provides unlimited channel options. In addition, with this one system, you can produce a number of other specialty products.



About Prima Base

Prima Base monolithic manhole base solutions integrate technology from the well known HawkeyePedershaab Smartcast and the BFS Capitan manhole base systems to provide one-of-a kind production systems for the creation of wetcast manhole base sections and other specialty concrete products. Unique to Prima is that you choose the milling device that best fits your needs. Whether it is our HawkeyePedershaab Smartcast Kuka robotic milling, or the BFS Capitan CNC multi-axis milling device, or both, combined into one unit, you can produce limitless channel flow designs.

The Channel Challenge

The challenge when you have many inspection chambers is to form all the individual channels in the manhole bases so that each pipe line has an unobstructed flow through the manhole minimizing the risk for build-up of solids. Traditionally, the forming of the manhole flow channels has been done manually by making a concrete benching on site, a very time-consuming, labor intensive and difficult job.

Our Solution

The Prima Base system replaces manual operations with an intelligent, digital configurator that is simple to use and provides unlimited flexibility to meet specific product needs with the highest quality.

Once the key variables are entered into the Prima Base product configurator, the system mills channel-forming molds out of a single piece of industry-standard EPS (Expanded Polystyrene) using either a programmable industrial robot (for highly specialized projects) or a CNC multi-axis milling unit for higher output projects. There is no need to tape, glue and screw or use proprietary-shaped foam sections. The user-friendly computer interface creates the world's easiest system for manufacturing monolithic manhole bases of the highest quality.

The Prima Base system can be used as a simple, stand-alone EPS milling station or integrated into our Prima automated production system featuring specialized, assembly-line style workstations for filling, demolding and handling.

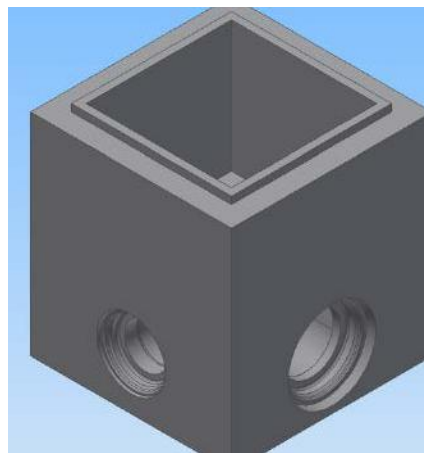
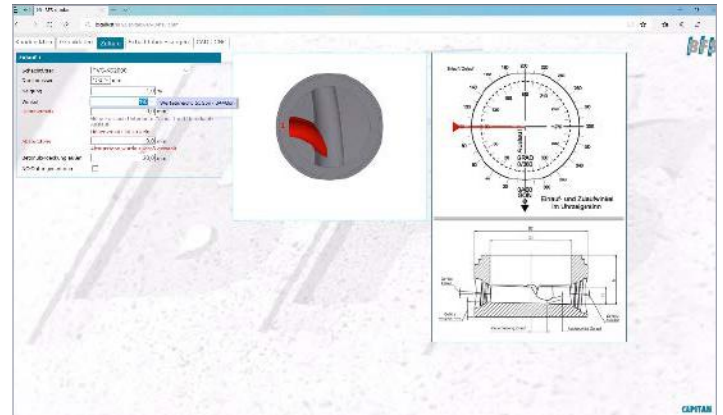




System Benefits

Intuitive Design Software

The manhole channel design is automatically created using a user-friendly interface that can be available on your local server or a web server (your choice). Prima Base can run as a stand-alone system or integrated into your company's ERP system. The web-based option allows usage from any computer station (PC, laptop, tablet or Smartphone), at work or remotely. After the manhole base has been designed, a full manufacturing drawing can be downloaded immediately. Once approved the manhole base design is released for production with a single click.




- International language capabilities
- Connects to almost any ERP and can create a project workflow and associated paperwork (purchase orders, change orders, datasheets, etc.) within the system
- Calendar feature for scheduling and/or rescheduling work
- Barcoding can be added to datasheets
- Can also configure square manholes
- All channel settings can be saved as favorites for reuse
- Special configurators can be created to do very complex or unusual pieces
- Stacking software also available



"They offered us the best technical solution for the manufacture of manhole bases."

— Robert Dennewald
Chaux de Contern, Luxembourg



You choose the EPS — you are not locked into our EPS blocks — choose the source that works best for your budget and requirements.

Choice of Milling Techniques

With the Prima Base system you have a choice. If your need is throughput, you may opt for our CNC multi-axis milling center which can produce approximately 30 channels in one shift with one operator. If you prefer a more advanced milling technique that offers the utmost precision at a lower throughput rate, we offer renowned Kuka robotic arm technology. Some producers want both, we can do that too!

Casacap Coating for Quick UV Curing

After milling the manhole base channels, the Casacap coating is applied to the surface of the milled EPS parts. This results in both a very smooth concrete surface on the finished product and the release agent makes it possible to remove the EPS former easily in one single piece when demolding. Our Casacap UV Curing station allows the channels to be processed in less than 5 minutes.

Quick and Easy Mold Set-Up with Prima Base

One of the greatest assets of the Prima Base system is the ease with which the EPS parts are produced, fit together and ultimately fix to the permanent steel mold. Competitive flexible base systems require multiple, complicated production steps in order to produce the EPS core top, and involve numerous hot-wire cutting machines and careful gluing processes. Our system creates the entire flow-channel portion of the EPS core top in one continuous piece and the connection pieces, or side cores, are simply fixed to the main core top using self-locking principles. In essence, the production and assembly of the EPS core top and the process of fixing it to the permanent mold is literally so simple a child could do it.



Additional Prima Base Features to Help You Work Smarter

Global Technical Support

Afinitas brings together the engineering strengths and technical expertise of the trusted HawkeyePedershaab and BFS teams. Our global reach and depth of knowledge assures disruption-free operations and helpful advice on how to achieve optimal, efficient results.

Special Products

Our Prima Base systems work for many different applications, including inspection box culverts.

Wetcast Molds

As part of your system we can provide top quality standard molds available with a collapsible inner core, height adjustable spigot former and integrated sealings. In addition, we offer an extended base mold with hydraulically adjustable inner core.

Turning Device

Introduce more automation and safety into your wetcast production process with our innovative concrete product turning device that handles up to DN 1800mm (72") products.

EPS Compactor

Achieves compaction up to 25:1.




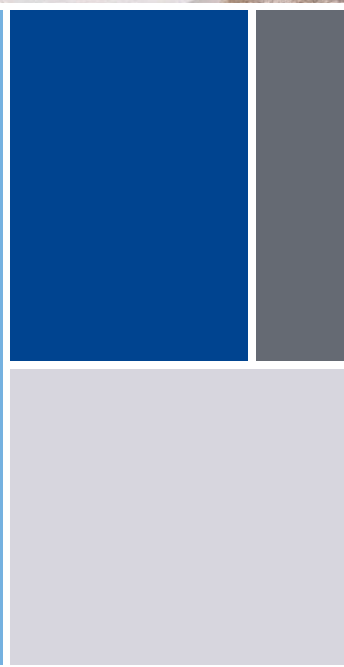
For more information on the Prima 360 system that's right for your operation, contact your local Afinitas sales representative.

Why Customers Choose Prima Base

Put simply, when it comes to sanitary and stormwater management systems, nothing compares to Prima Base. Unlike other flexible base systems, Prima Base leverages a high-precision milling process to optimize flow, eliminate cold joints, and minimize human error. By eliminating the need for glue, tape, screws, and hot-wire cutters, Prima Base consistently delivers error-free products ready for one-pass installation.



 <p>Fully Customizable Monolithic Manhole Base</p>	 <p>Defect-Free Production</p>	 <p>Unlimited Design Flexibility</p>	 <p>Sustainable, High-Performance Precast</p>
 <p>One-Pass Installation</p>	 <p>Lifetime Performance</p>	 <p>Ultra-Smooth Finish</p>	 <p>Specialized Channel Configurations</p>



See Prima Base in Action



Prima Base

A Smarter Way to Wetcast

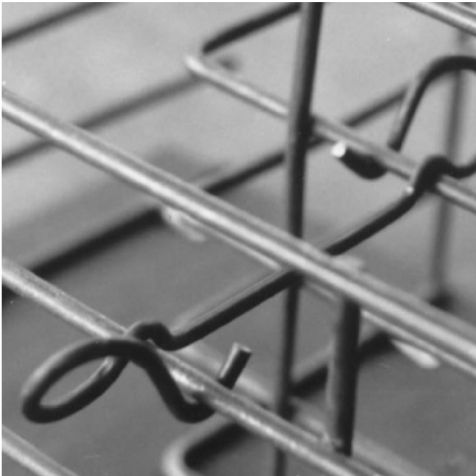


Equipment & Automation



Forming Systems

Concrete Accessories



Intelligent Infrastructure Solutions
Visit www.afinitas.com to learn more.

Afinitas Equipment and Automation Division

North America

506 S. Wapello St.
Mediapolis, Iowa 52637
Phone: +1 319-394-3197
info@afinitas.com

Parts
Phone: +1 319-394-2240
hawkeyeparts@afinitas.com

Service
Phone: +1 319-394-2270
hawkeyetech@afinitas.com

Denmark

Saltumvej 25
9700 Brønderslev, Denmark
Phone: +45 9645 4000
info-DK@afinitas.com

Parts
Phone: +45 9645 4172
aftersales@afinitas.com

Service
Phone: +45 9645 4050
pedershaabtech@afinitas.com

Germany

Dr. -Georg-Spohn-Str. 31
89143 Blaubeuren, Germany
Phone: +49 7344 96030
info-DE@afinitas.com

Parts
Phone: +49 7344 9603-77
bfs.spareparts@afinitas.com

Service
Phone: +49 7344 9603-55
bfs.service@afinitas.com

Italy

Viale Venezia 79/G 33074
Fontanafredda, Italy
Phone: +39 0434 599211
info-ITA@afinitas.com

Parts
Phone: +39 0434 599211
info-ITA@afinitas.com

Service
Phone: +39 0434 599211
info-ITA@afinitas.com



Intelligent Infrastructure Solutions

Afinitas is a global, comprehensive and customer-oriented equipment, automation, forming and accessories platform for precast concrete and infrastructural products.

Afinitas: 8027 Forsyth Blvd. | St. Louis, MO 63105 USA | +1 314-726-2178 | info@afinitas.com
North America: +1 319-394-3197 | Denmark: +45 9645 4000 | Germany: +49 7344 96030