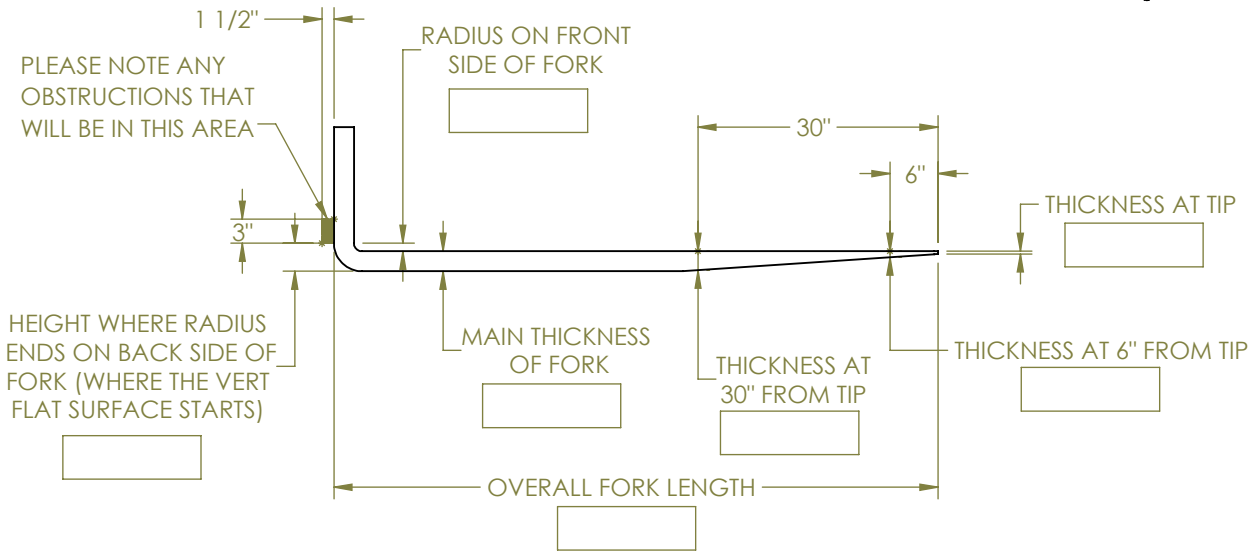
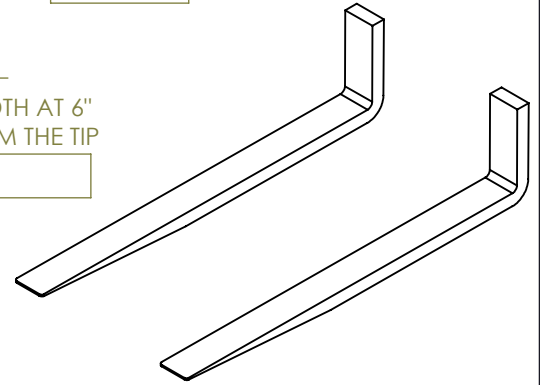


**TOP VIEW**



**SIDE VIEW**

**NOTE:** FILL IN ALL BOXES WITH REQUIRED DIMENSIONS, PLEASE INDICATE IF YOU ARE USING IMPERIAL OR METRIC DIMENSIONS. THANK YOU.

PLEASE CHECK BOXES WITH PRODUCT LENGTHS THAT WILL BE HANDLED, WRITE IN ANY ADDITIONAL LENGTHS. ALSO, CHECK WHAT STYLE AND LENGTH OF PADS ARE REQUIRED.

- 8'
- 6'
- 4'

HAWIFLEX FORK PADS		PAD LENGTH	
		SHORT: 9 3/4"	LONG: 18 3/4"
PAD STYLE	RADIUSED		
	FLAT		

TOLERANCES (UNLESS SPECIFIED)

FRACTIONAL ±1/16      X.X ±.03  
 X.XX ±.01  
 ANGLE ±1°      DECIMAL X.XXX ±.005

**Hawkeye Pedershaab**  
 Concrete Technologies Worldwide

THIS DRAWING IS THE PROPERTY OF HAWKEYE PEDERSHAAB, TRANSMITTED IN CONFIDENCE, AND THE REPRODUCTION, USE OR DISCLOSURE, IN WHOLE OR IN PART, OF THE DESIGN AND DETAILS CONTAINED HEREIN IS PROHIBITED WITHOUT THE WRITTEN PERMISSION OF HAWKEYE PEDERSHAAB.

**CUSTOMER FORK DIMENSIONS SHEET**  
**FORK PAD SHEATH**

WEIGHT: lb  
 [kg]

DRAWING NUMBER  
**100242805**

SCALE 1:24	DRAWN JOW	ENGR JOW	DATE 12/28/2018	SIZE A	ISSUE B
---------------	--------------	-------------	--------------------	-----------	------------