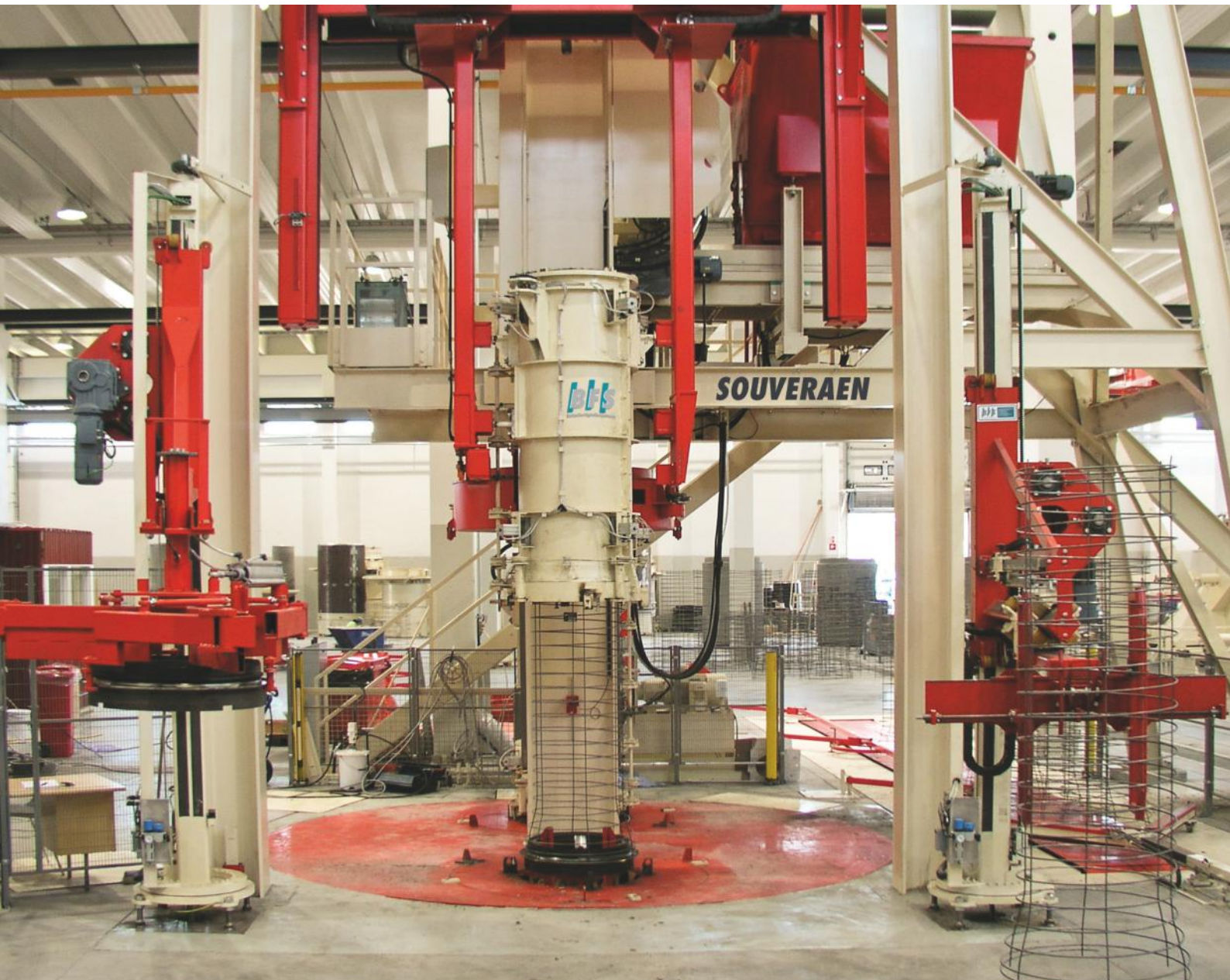




## Souveraen Machine Series



Highly flexible, high performance  
packerhead technology:

- Proven compaction control
- Patented roller-head technology
- Powerful and efficient



## Superb reinforced and non-reinforced pipe with excellent inner and outer surfaces.

Highest manufacturing quality with minimal manpower: With minimal labor, reinforced- and non-reinforced concrete pipes are produced to the highest quality in accordance with international standards. Depending on the type of machine inside diameter ranges from 250 mm to 3.500 mm.

The results are high-grade concrete pipes with perfect surface, reinforced until the spigot end and with a maximum tolerance in length of  $\pm 2,5$  mm. Intensively compacted and with guaranteed smooth surface.

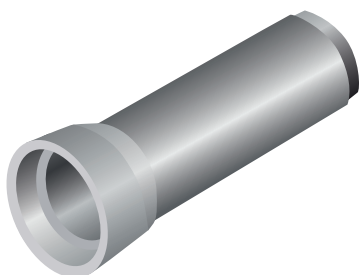
Production capacity*	SV 825/SV1225				
	Pipe size (mm)	300	600	800	1.000
Capacity Pipes/h	39	30	26	23	21
Concrete capacity (t/h)	18	32	45	60	77
Concrete capacity (m <sup>3</sup> /h)	8	14	19	25	33

\* Theoretical productivity, depends on a specification, level of automation and materials used in manufacture

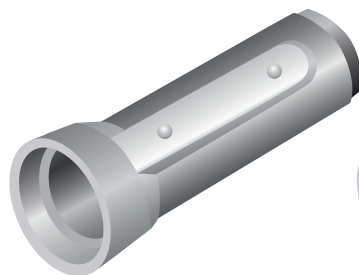
Maschine Model	Inside Diameter	Maximum Length
SV 0825	250 - 800 mm	2.500 mm
SV 0830	250 - 800 mm	3.000 mm
SV 1225	250 - 1.200 mm	2.500 mm
SV 1230	250 - 1.200 mm	3.000 mm
SV 1235	250 - 1.200 mm	3.500 mm
SV 1625	300 - 1.600 mm	2.500 mm
SV 1630	300 - 1.600 mm	3.000 mm
SV 1635	300 - 1.600 mm	3.500 mm



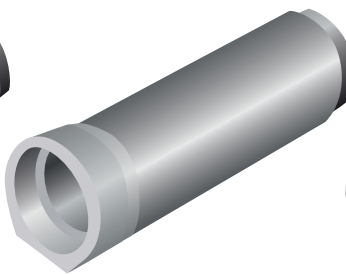
pipe length up to 3.500 mm



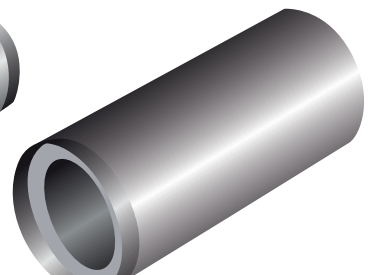
Socket concrete pipe



Reinforced and non-reinforced concrete pipe with integrated lifting and transport anchors



Pre-bed pipe



Jacking pipe





## Systematically to Success

The concept for the completely automatic production of concrete pipes, computer assisted in a complete production cycle. With consistently high quality. With variable pipe sizes and short size changeover times guarantee perfect use of machine capacity.

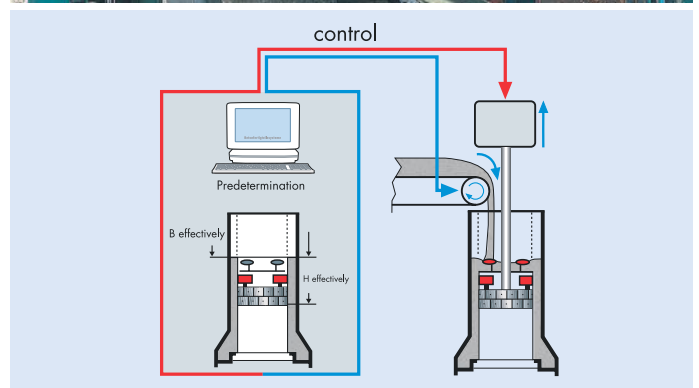
### S-ECO – The Maindrive System

Frequency controlled electric motors together with an up to date spur gear transmission result into exact speeds and a high torque for best compaction results. Of course energy saving and with a minimal noise level.



### S-FEED – The Concrete Feeding System

The amount of concrete is calculated in advance, by the carefully designed process control system and is fed in precise quantities and rates to the compaction process. The result is a consistently high concrete quality from the socket to the spigot. Accurately repeatable at any time.



### S-COMPACT – The Compaction System

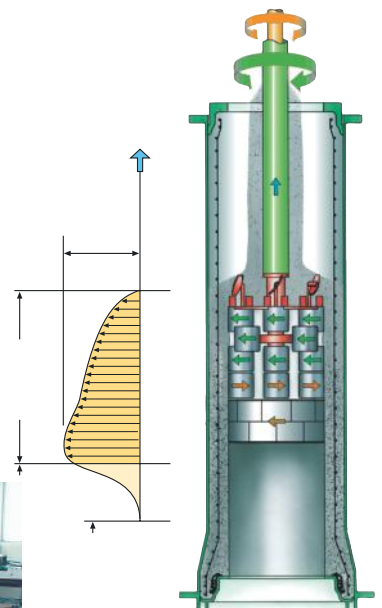
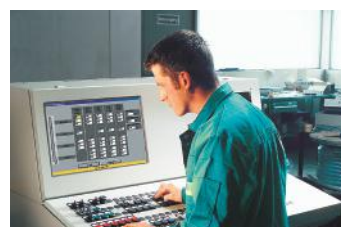
The patented\* compaction tool is the root of the compaction. The roller-head technology of four (4) layers of rollers guaranteeing no uncompacted areas. Due to the counter rotating movement, the reinforcement cage is perfectly embedded by concrete and the twisting of the cage is minimized. Of course all components are designed for long term wear.



\*Pat. No. 30 12 090.2-25

### S-FLEX – The Size Change System

Speedy size conversion ranging from 15 to 60 minutes, with automatic conversion of all important product parameters at the push of a button. Time is money – the utilization level is improved and flexibility increased. Ergonomically designed size conversion tools makes servicing easier and speeds up the size change.



Producing quality continuously means to leave nothing to chance. The production flow in the Souveraan machinery concept is perfect up to the smallest detail. Long term wear and energy saving production is guaranteed.





## Convincing Technology

New ideas for an effective and professional production. Optimal concepts through sound development and consultation.

### 1. Intelligent products:

Reinforced- and non-reinforced concrete pipes with fully automated installation of lifting and transport anchors. The anchor feeding robot TransFix (patent pending) operates irrespective of the shape of the pipe.

### 2. Perfectly automated periphery:

Base ring pallets and reinforcement cages are automatically inserted. The base ring pallets are automatically cleaned, oiled, stored and prepared for production by the Puma.

### 3. Protected transport:

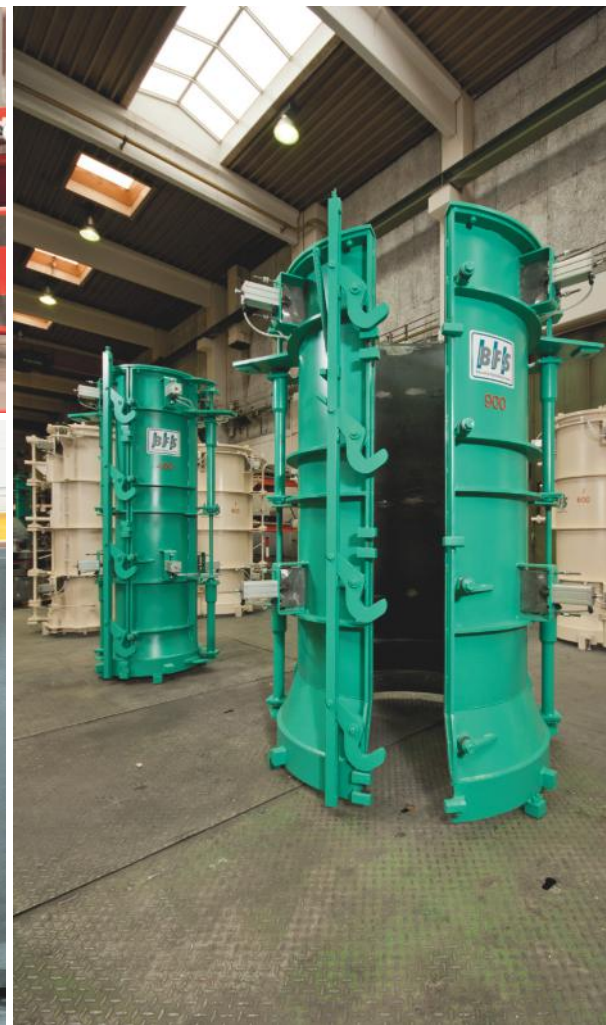
With the fork lift truck loading and demoulding device the newly made concrete pipes are carefully transported to the curing area, where they are demoulded. Transportation can take place either in a single outer mould or a 3-piece outer mould.

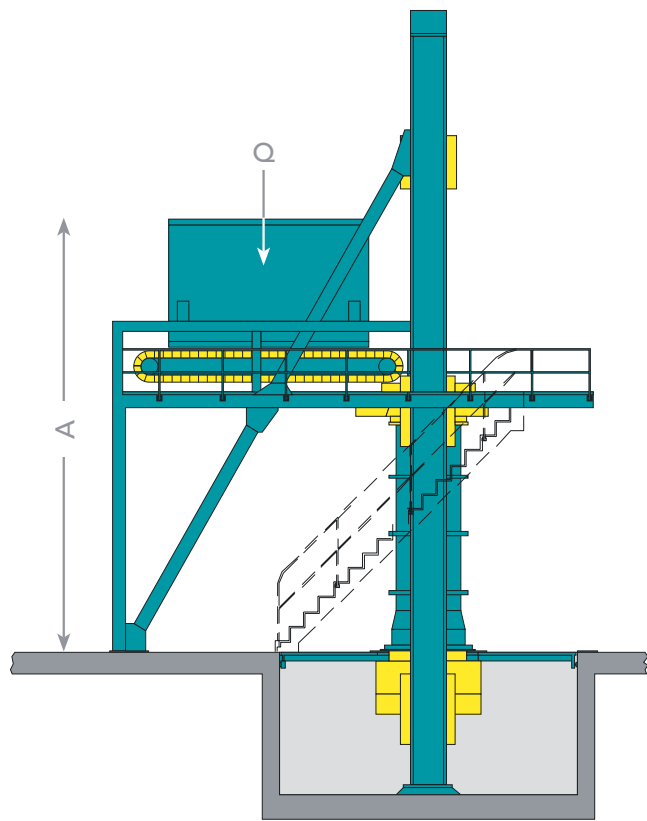
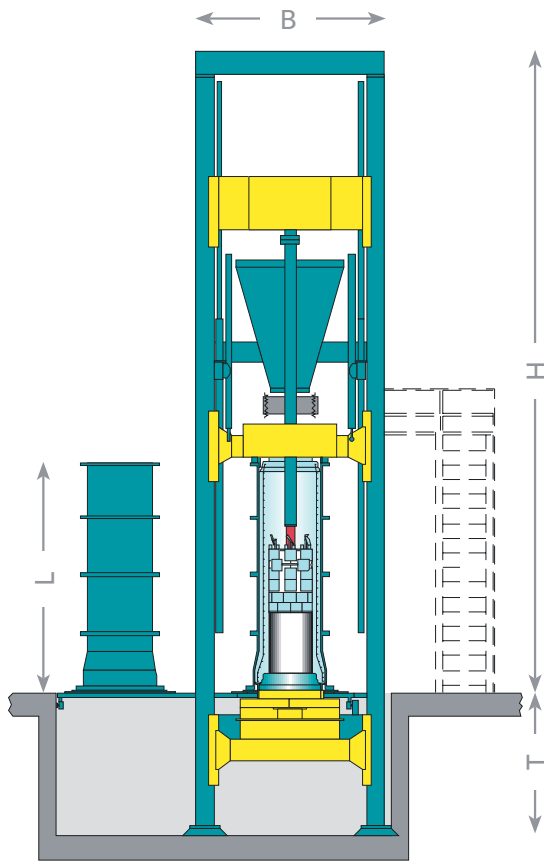
### 4. Streamlining complete:

Perfect productivity using the open-floor-system Robotrac or with the automatic moving-floor-system Floortrac.

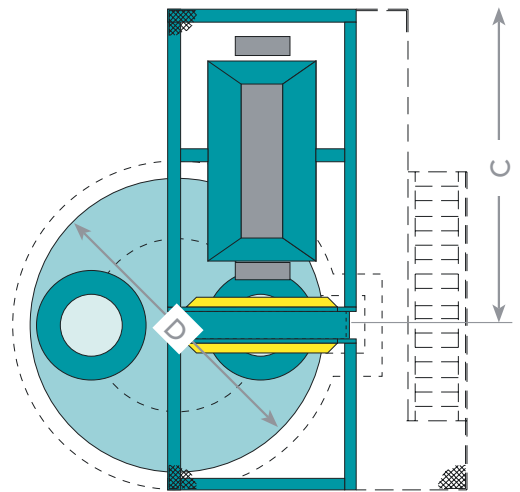
### 5. Variety of moulds:

High accuracy mould variation specially tailored to the needs of our customers.





Please contact us for detailed information!



## Table of Dimensions

Model* mm	SV 825	SV 830	SV 1225	SV 1230	SV 1235	SV 1625	SV 1630	SV 1635
A	5600	5800	6300	6500	6700	6600	6900	7200
B	2600	2600	3000	3000	3000	3600	3600	3600
C	5400	5400	5400	5400	5400	6000	6000	6000
D	4200	4200	5000	5000	5000	6200	6200	6200
H	10250	11250	10250	11250	12250	10250	11250	12250
L	2650	3150	2650	3150	3650	2650	3150	3650
Q (liter)	1700	2000	3900	4500	5100	6500	7500	8500
T	2350	2350	2350	2350	2350	2350	2350	2350

\* Technical subject to change



## Souveraen Machine Series

### Equipment & Automation



### Concrete Accessories



Intelligent Infrastructure Solutions  
Visit [www.afinitas.com](http://www.afinitas.com) to learn more.

### Afinitas Equipment and Automation Division

#### North America

Afinitas  
506 S. Wapello St.  
Mediapolis, Iowa 52637

Phone: +1 319-394-3197  
[info@afinitas.com](mailto:info@afinitas.com)

#### Parts

Phone: +1 319-394-2240  
[aftermarket-na@afinitas.com](mailto:aftermarket-na@afinitas.com)

#### Service

Phone: +1 319-394-2208  
[service-na@afinitas.com](mailto:service-na@afinitas.com)

#### Denmark

Afinitas A/S  
Saltumvej 25  
9700 Brønderslev, Denmark

Phone: +45 9645 4000  
[info-dk@afinitas.com](mailto:info-dk@afinitas.com)

#### Parts

Phone: +45 9645 4172  
[aftermarket-dk@afinitas.com](mailto:aftermarket-dk@afinitas.com)

#### Service

Phone: +45 9645 4050  
[service-dk@afinitas.com](mailto:service-dk@afinitas.com)

#### Germany

Afinitas GmbH  
Dr. -Georg-Spohn-Str. 31  
89143 Blaubeuren, Germany

Phone: +49 7344 96030  
[info-de@afinitas.com](mailto:info-de@afinitas.com)

#### Parts

Phone: +49 7344 9603-77  
[aftermarket-de@afinitas.com](mailto:aftermarket-de@afinitas.com)

#### Service

Phone: +49 7344 9603-55  
[service-de@afinitas.com](mailto:service-de@afinitas.com)

#### Italy

Afinitas srl  
Viale Venezia 79/G  
33074 Fontanafredda, Italy

Phone: +39 0434 599211  
[info-ita@afinitas.com](mailto:info-ita@afinitas.com)

#### Parts

Phone: +39 0434 599211  
[info-ita@afinitas.com](mailto:info-ita@afinitas.com)

#### Service

Phone: +39 0434 599211  
[info-ita@afinitas.com](mailto:info-ita@afinitas.com)



### Intelligent Infrastructure Solutions

Afinitas is a global, comprehensive and customer-oriented equipment, automation, forming and accessories platform for precast concrete and infrastructural products.

Afinitas: 8027 Forsyth Blvd. | St. Louis, MO 63105 USA | +1 314-726-2178 | [info@afinitas.com](mailto:info@afinitas.com)  
North America: +1 319-394-3197 | Denmark: +45 9645 4000 | Germany: +49 7344 96030