


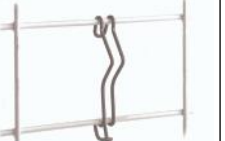
























Concrete Accessories Division

Product Lines

DRYCAST - STEEL SPACERS, MESH WHEEL, OTHER (HawkeyePedershaab)

Tangle-Free					
 BOX-LOK Weldless Double-Cage Box Spacers	 LEVER-LOK Double-Cage Spacers	 MAXI-JAX Single-Cage Spacers	 EZ-KLIP Single-Cage Spacers	 BOX SECTION Double-Cage Spacers	 Speed-KLIP Single-Cage Spacers
 TWIST-LOCK Single-Cage Spacers	 PRESS-LOCK Single-Cage Spacers	 CAM LOCK SPA-STIR Double-Cage Spacers	 MESH WHEEL for Drycast and Wetcast	 MESH LOCKING WHEEL	 FAS-V-LOK PYRAMID-LOK

WETCAST- PLASTIC SPACERS, CHAIRS, CLIPS, BOLSTERS (Spillman)

 PLASWHEELS® Unlocking	 PLASWHEELS® Locking	 PLASCLIPS®	 MESHCLIPS®	 PLASCHAIRS®	 HIGH STACK CHAIRS
 AC CHAIRS	 Parking Curb Chairs	Slab Bolsters		 CONCRETE Spacer	Tangle-Free
		 Imported	 Made in USA Econo Bolster		 SNAP-LOK Rebar Fasteners

OTHER SPACER PRODUCTS

 Chain Guards	 PLAS-TIPS Plastic End Tips	 Panel Pads	 Shear Steel Stirrup Mat
--	--	---	---





Slab Bolsters



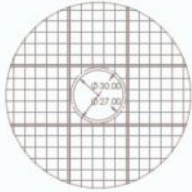


GLOBALLY – SOURCED LIFTING ANCHORS, FIXATION INSERTS AND ACCESSORIES (AMIFAST)

					
Utility Anchors	General Purpose Anchors	Spread Anchors	Erection/Split Foot Anchors	Insulated Panel Anchors	Plate Anchors
					
T-Bar Anchors	Two-Hole Anchors	Dog Bones	Lifting Loops	Lifting Clutches	Lifting Eye
					
Cable Ring Clutches	Straight Ferrule Loop-Inserts	Ferrule Loop Inserts	Ferrule Only	Expanded Coil Inserts	Coil Inserts
					
Zinc and Plastic Inserts	EMS Markers	Shear Bars	Recess Formers	Coil Nuts and Bolts	Cable Racks

MADE IN USA — LIFTING DEVICES (HAALA INDUSTRIES)

 <p>Lift Bars</p>	 <p>Lift Cables</p>	 <p>Lift Plates</p>	 <p>Reusable Pocket Formers</p>
--	--	---	--









REBAR MATS (HAALA INDUSTRIES)

 <p>Cover Mats</p>	 <p>Intake Cover Mats</p>	 <p>Custom Mat Designs</p>	 <p>Base Mats</p>	 <p>Curb Intake Mats</p>
---	--	---	--	---

MANHOLE CONE AND FLARED END CAGES (HAALA INDUSTRIES)

 <p>Manhole Riser Cage</p>	 <p>Pipe Wire Cage</p>	 <p>Span and Elliptical Pipe Flared End Cage</p>
---	---	---

PIPE AND BOX THREADED CONNECTORS (HAALA INDUSTRIES)

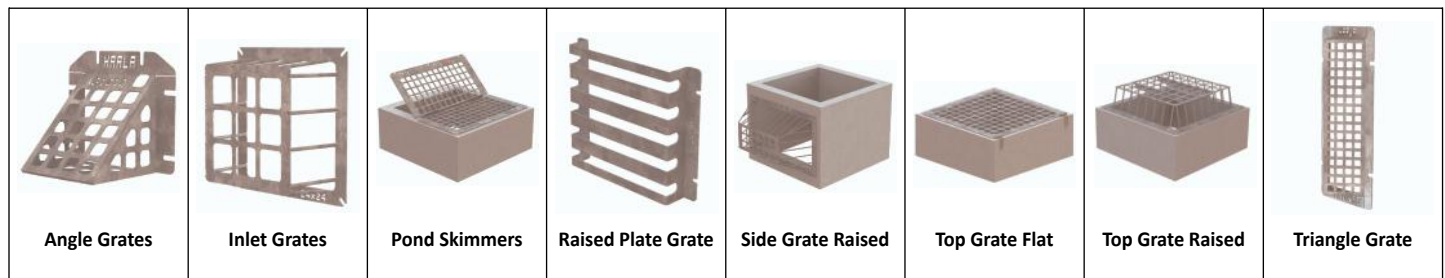
 <p>Adjustable Tie Rod</p>	 <p>Extra-Long Tie Rods</p>	 <p>Iowa Style Tie Rods</p>	 <p>Hide Away Tie Rods</p>
 <p>Washington County Standoff Tie Rod</p>	 <p>Polk County Tie Rod</p>	 <p>Heavy-Duty Couplers</p>	 <p>Bell End Spacer</p>

GRATES AND GUARDS (HAALA INDUSTRIES)

Manhole Grates



Box Culvert Grates



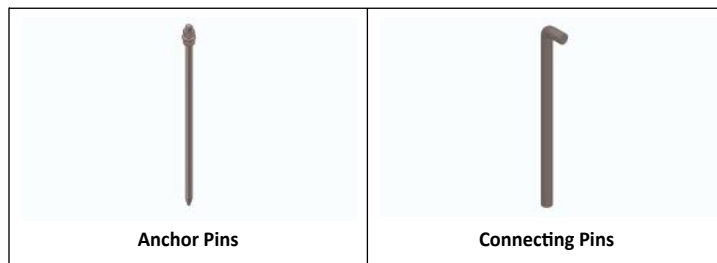
Other Grates



Guards



MEDIAN BARRIER PINS (HAALA INDUSTRIES)



Intelligent
Infrastructure
Solutions

Concrete Accessories Division: 8027 Forsyth Blvd. | St. Louis, MO 63105 | +1 314-726-2178
 HawkeyePedershaab: 800-626-1451 | Spillman: 800-443-6767 |
 Haala Industries: 507-794-5821 | Amifast: 800-835-5581 | info@afinitas.com | www.afinitas.com