


























Concrete Accessories Division

Product Lines

DRYCAST - STEEL SPACERS, MESH WHEEL, OTHER (HawkeyePedershaab)

Tangle-Free					
 BOX-LOK Weldless Double-Cage Box Spacers	 LEVER-LOK Double-Cage Spacers	 MAXI-JAX Single-Cage Spacers	 EZ-KLIP Single-Cage Spacers	 BOX SECTION Double-Cage Spacers	 Speed-KLIP Single-Cage Spacers
 TWIST-LOCK Single-Cage Spacers	 PRESS-LOCK Single-Cage Spacers	 CAM LOCK SPA-STIR Double-Cage Spacers	 MESH WHEEL for Drycast and Wetcast	 MESH LOCKING WHEEL	 FAS-V-LOK PYRAMID-LOK

WETCAST- PLASTIC SPACERS, CHAIRS, CLIPS, BOLSTERS (Spillman)

 PLASWHEELS® Unlocking	 PLASWHEELS® Locking	 PLASCLIPS®	 MESHCLIPS®	 PLASCHAIRS®	 HIGH STACK CHAIRS
 AC CHAIRS	 Parking Curb Chairs	 SLAB BOLSTER	 ECONO-BOLSTERS	 CONCRETE Spacer	

OTHER SPACER PRODUCTS



 Chain Guards	 PLAS-TIPS Plastic End Tips	 Panel Pads	Tangle-Free  SNAP-LOK Rebar Fasteners
--	--	---	--




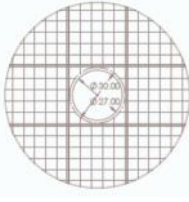

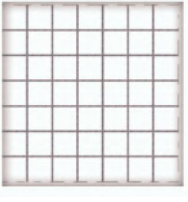

GLOBALLY – SOURCED LIFTING ANCHORS, FIXATION INSERTS AND ACCESSORIES (AMIFAST)

					
Utility Anchors	General Purpose Anchors	Spread Anchors	Erection/Split Foot Anchors	Insulated Panel Anchors	Plate Anchors
					
T-Bar Anchors	Two-Hole Anchors	Dog Bones	Lifting Loops	Lifting Clutches	Lifting Eye
					
Cable Ring Clutches	Straight Ferrule Loop-Inserts	Ferrule Loop Inserts	Ferrule Only	Expanded Coil Inserts	Coil Inserts
					
Zinc and Plastic Inserts	EMS Markers	Shear Bars	Recess Formers	Coil Nuts and Bolts	Cable Racks

MADE IN USA — LIFTING DEVICES (HAALA INDUSTRIES)

			
Lift Bars	Lift Cables	Lift Plates	Reusable Pocket Formers









REBAR MATS (HAALA INDUSTRIES)

				
Cover Mats	Intake Cover Mats	Custom Mat Designs	Base Mats	Curb Intake Mats

MANHOLE CONE AND FLARED END CAGES (HAALA INDUSTRIES)

		
Manhole Riser Cage	Round Pipe Flared End Cage	Span and Elliptical Pipe Flared End Cage

PIPE AND BOX THREADED CONNECTORS (HAALA INDUSTRIES)

			
Adjustable Tie Rod	Extra-Long Tie Rods	Iowa Style Tie Rods	Hide Away Tie Rods
			
Washington County Standoff Tie Rod	Polk County Tie Rod	Heavy-Duty Couplers	Bell End Spacer

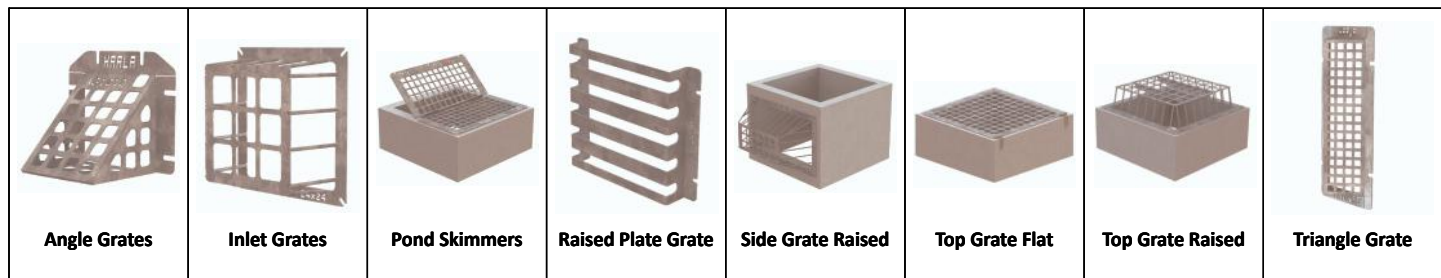


GRATES AND GUARDS (HAALA INDUSTRIES)

Manhole Grates



Box Culvert Grates



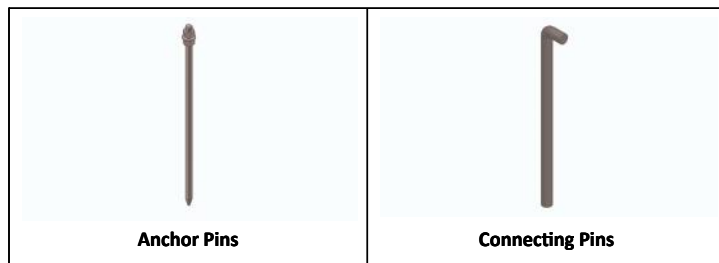
Other Grates



Guards



MEDIAN BARRIER PINS (HAALA INDUSTRIES)



Intelligent
Infrastructure
Solutions

Concrete Accessories Division: 8027 Forsyth Blvd. | St. Louis, MO 63105 | +1 314-726-2178
HawkeyePedershaab: 800-626-1451 | Spillman: 800-443-6767 |
Haala Industries: 507-794-5821 Amifast: 800-835-5581 | info@afinitas.com | www.afinitas.com