



# Manhole Slab Forming Systems



## Slab Forms Engineered to Last

- Slab Top
- Transition Slab
- Base Slab
- Wetcast Applications

## Heavy steel construction designed for strength, durability and performance

Afinitas is known for bringing together the top engineering and manufacturing expertise in the industry to build best-in-class precast forming systems. Our wide range of quality products are backed by knowledgeable and responsive customer sales and manufacturing team members who are there to assist you throughout the life of your form. And to that point, our forms are built to last. We combine heavy-duty steel with an innovative approach to manufacturing that will ensure we can help you take your business where you want to grow.

Manhole products are a core competency of the Afinitas team. We have been trusted for decades to engineer forms for a wide variety of manhole products, including:

- Eccentric Cone Forms
- Concentric Cone Forms
- Slap Top, Transition Slab, Base Slab Forms
- Extended and Straight Base Forms
- Riser Forms
- Drop Base and Drop Riser Forms
- Single Pour Grade Ring Forms
- Battery Grade Ring Forms
- Manhole Joint Rings



Manhole Cone Form



Manhole Base Form



Manhole Riser Form

 **Afinitas is your source**  
for Wetcast Forming Systems.

Contact our team at  
**+1 641-394-4111**  
or email [rfq@afinitas.com](mailto:rfq@afinitas.com)



## Slab Top

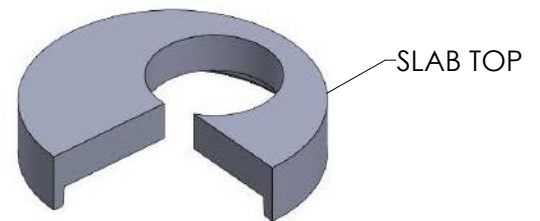
Slab tops are used in applications where a manhole is needed to access underground utilities, such as sewer and water lines. Strength is of the utmost importance. We engineer our slab top forms to exacting standards to ensure your manhole products are simple to install and safe, reliable, and durable. Our designs cover all sizes and styles.

### The Afinitas Advantage

- Diameters from 36" through 144"
- Two-piece design with toggle clamps, seam bars and alignment pins
- Mechanical collapsing inner core (available loose or bolted and in several diameters)
- Groove pallet with ID notch for bolt down cover plate

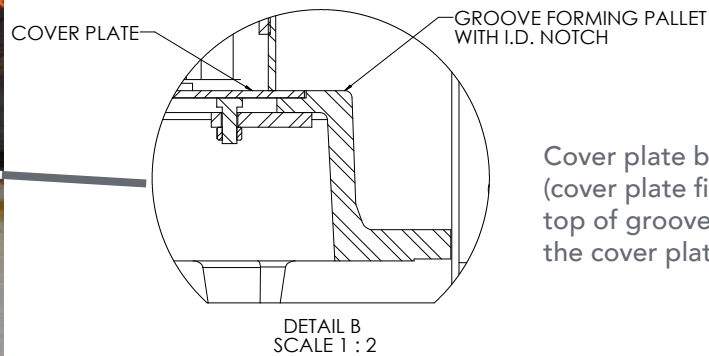


Slab Top Form

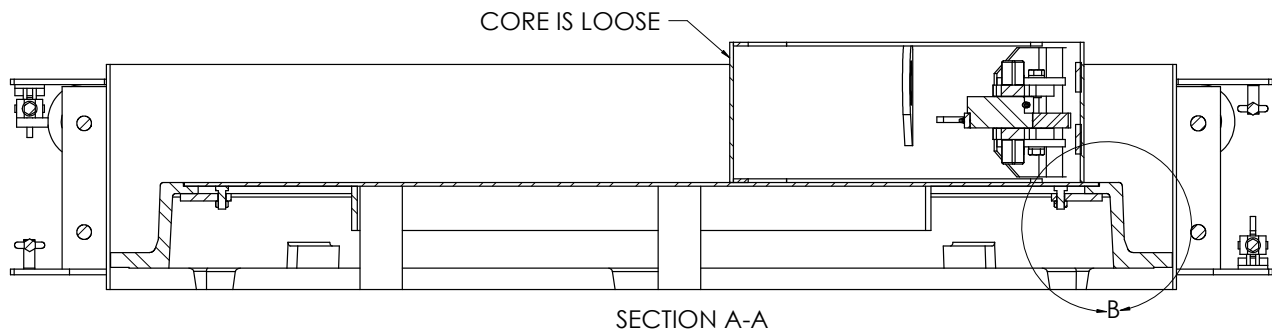


End Product

### Cover Plate Bolted to the Groove Pallet



Cover plate bolted to the groove pallet (cover plate fits inside joint ring, flush with top of groove pallet). No need to retrieve the cover plate during strip out.



## Transition Manhole Slab

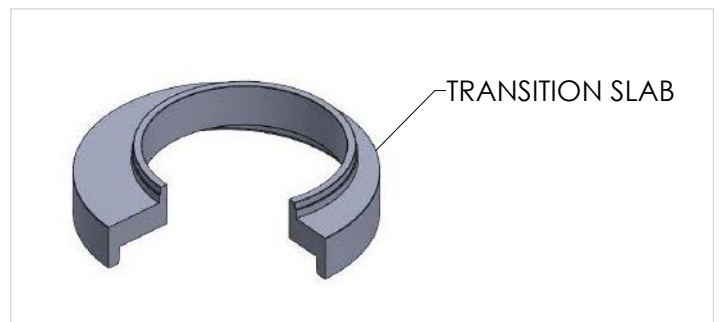
Transition manhole slabs are used in a variety of applications, including roadway construction, sewer and drainage projects, landscaping and stormwater management projects. These slabs offer a number of advantages over traditional methods of constructing manholes. They are faster and easier to install, which can save time and money on the project. They also provide a more accurate and consistent finish, which can improve the overall appearance of the project. Plus they are very durable. We can provide formwork that will further enhance the speed and efficiency of your project in a variety of sizes and shapes to meet the specific needs of your project.



Transition Slab

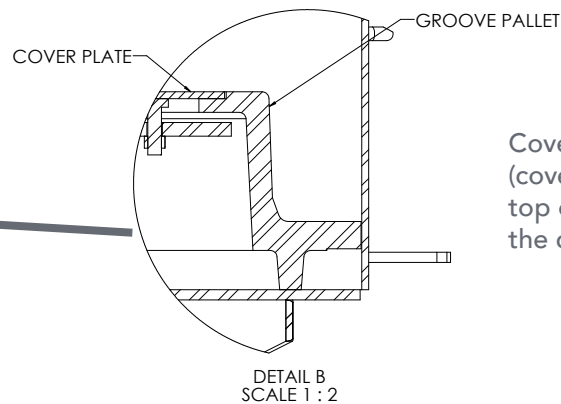
### The Afinitas Advantage

- Diameters from 60" through 144"
- Two-piece design with toggle clamps, seam bars and alignment pins
- Mechanical collapsing inner core (available loose or bolted and in several diameters)
- Groove pallet with ID notch for bolt down cover plate
- Tongue forming, open top header with (4) lifting eyes and core hangers (header to locate off core)

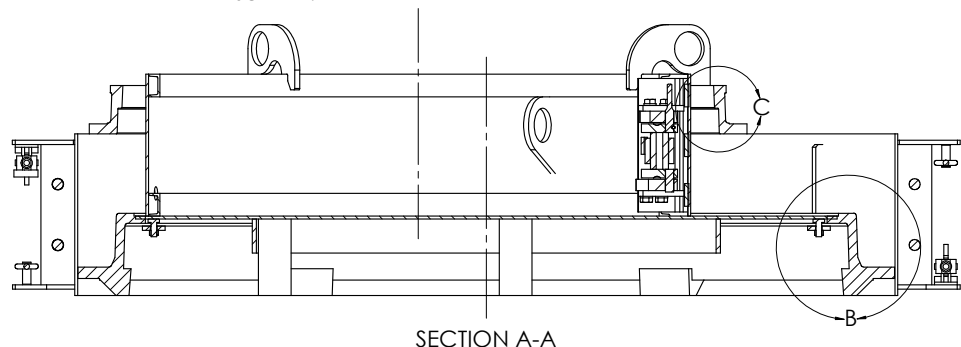
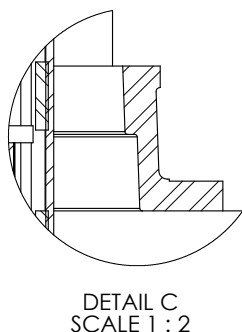


End Product

### Transition Manhole Slab Form Design



Cover plate bolted to the groove pallet (cover plate fits inside joint ring, flush with top of groove pallet). No need to retrieve the cover plate during strip out.

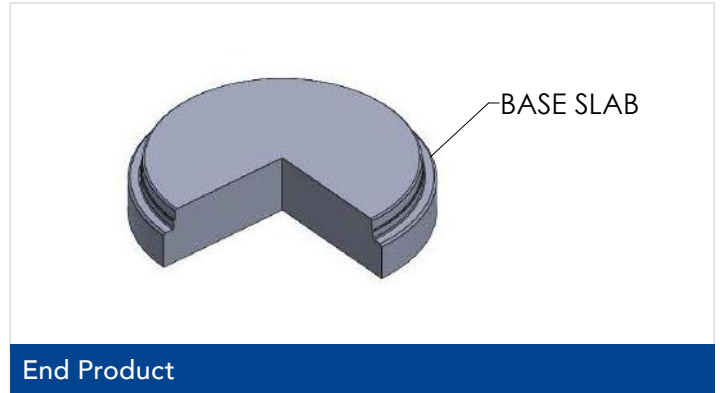


## Base Slab

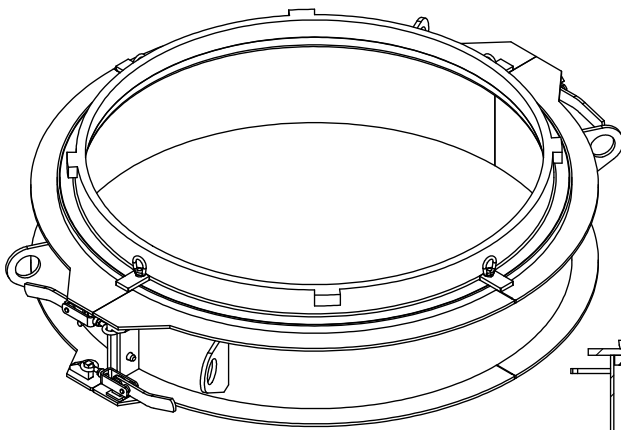
We manufacture forms to accommodate bases that are poured monolithically or poured as a separate base. An invert or flow channel can also be poured into the base section if required. Our systems provide a smooth surface for manhole rings to sit on, which helps create a watertight seal.

### The Afinitas Advantage

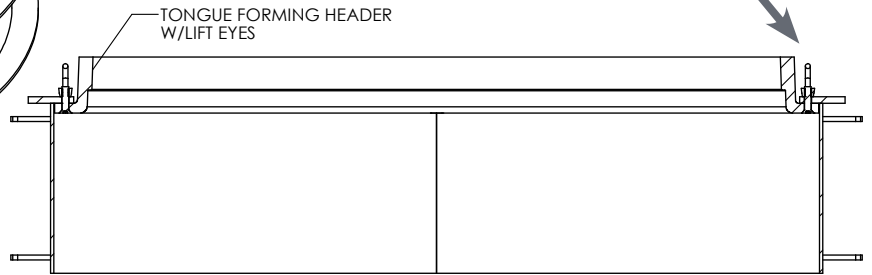
- Diameters from 24" through 144"
- Two-piece design with toggle clamps, seam bars and alignment pins



### Base Slab Form Design



Tongue forming, open top header with (4) lifting eyes and form tabs (header to locate off form).



SECTION B-B



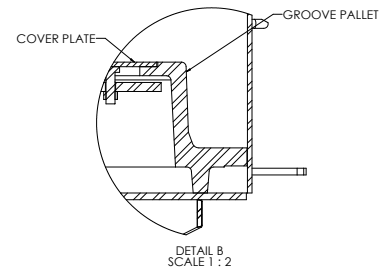
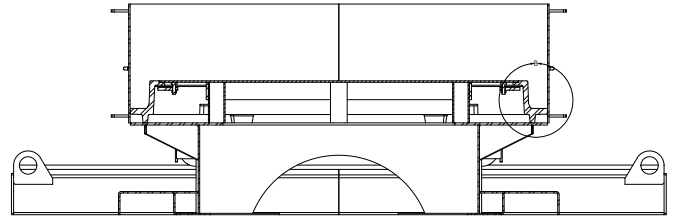
## Why Choose A "Roll Back" Option?

With the Roll Back form the form doors are manually rolled open/close. The manufacturing team does not have to handle the outer form with an overhead hoist. This makes the process simpler and safer.



Roll Back Form Doors with Seam Flat Bars, Seam Alignment Pins and Pull Handles

### Roll Back Option Design



### Other Options Available



Vibrator mounting brackets (several make/models to choose from). Air or electric vibrators are also available.



Manual step pin assemblies or cast-in plastic break-off step inserts. We also offer manual lift hole blockout pins or lift insert assemblies (several make/models to choose from).

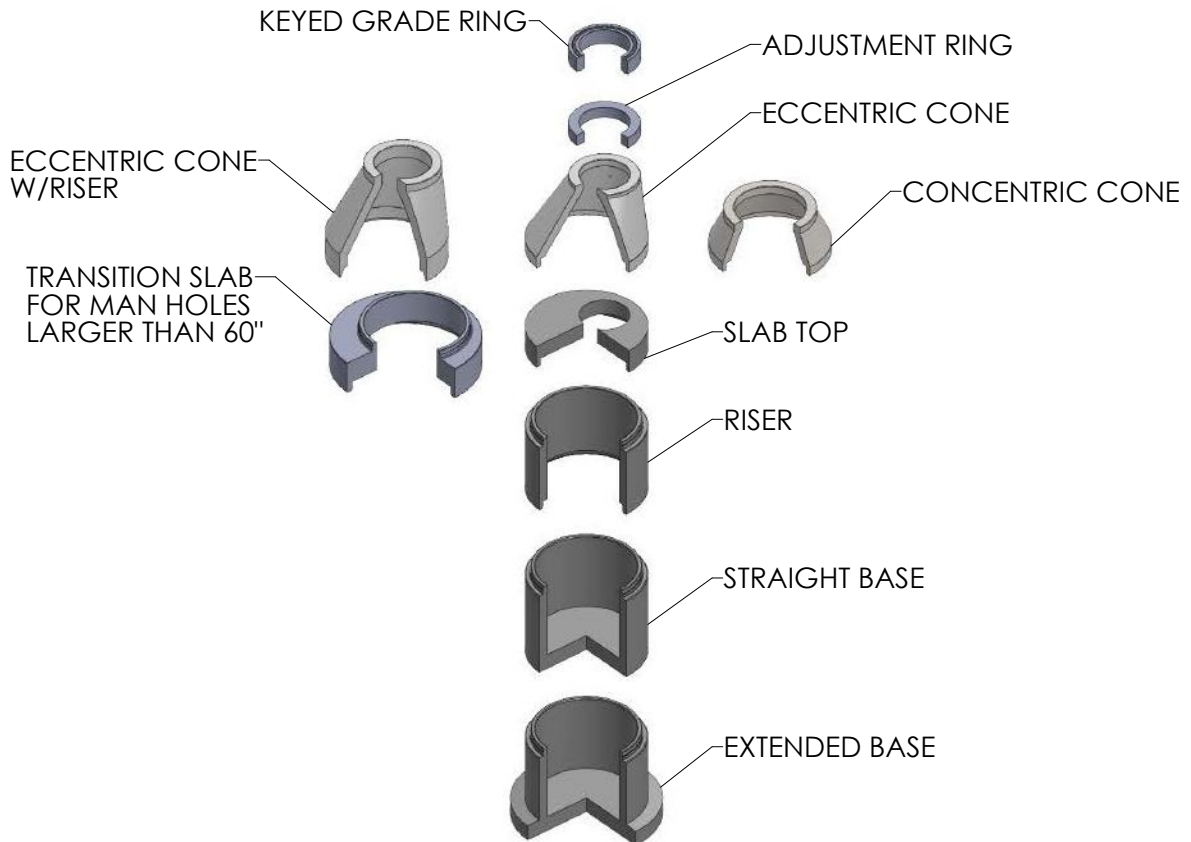
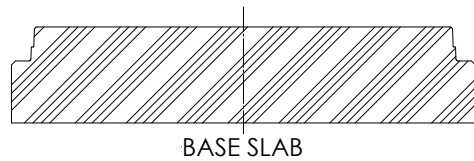
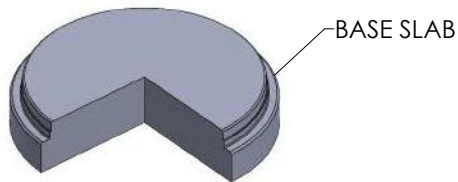
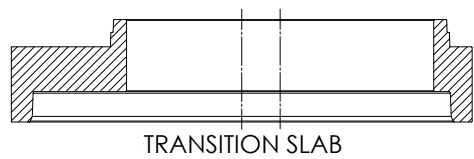
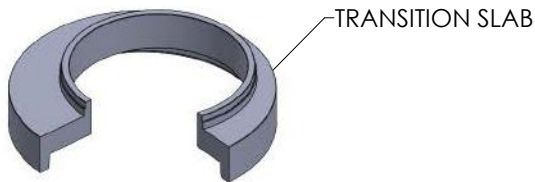
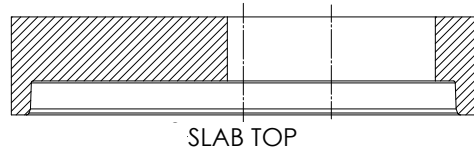
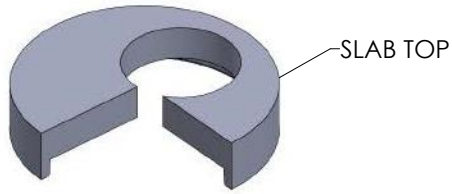


### One Piece Form Design





Slab Top, Transition Slab, Base Slab



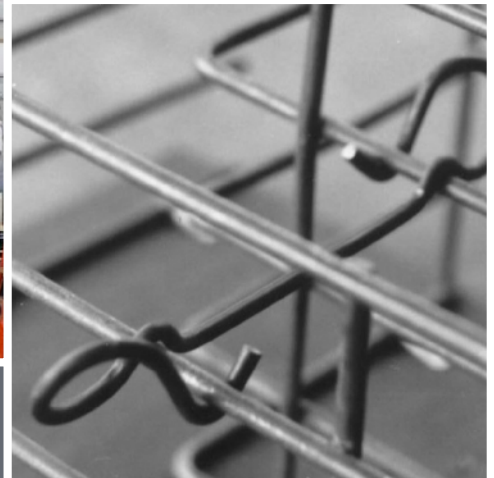


# Manhole Slab Forming Systems

Equipment & Automation



Concrete Accessories



Forming Systems

Intelligent Infrastructure Solutions  
Visit [www.afinitas.com](http://www.afinitas.com) to learn more.

## Afinitas Forming Systems Division

### Iowa

928 W Milwaukee  
New Hampton, IA 50659  
Phone: 641-394-4111  
Fax: 641-394-4542  
rfq@afinitas.com

### Ohio

1701 Moler Road  
Columbus, OH 43207  
Phone: 614-444-2184  
rfq@afinitas.com



### Intelligent Infrastructure Solutions

Afinitas is a global, comprehensive and customer-oriented equipment, automation, forming and accessories platform for precast concrete and infrastructural products.

Afinitas Forming Systems Division:

928 W. Milwaukee | New Hampton, IA 50659 USA | +1 641-394-4111 | rfq@afinitas.com | www.afinitas.com