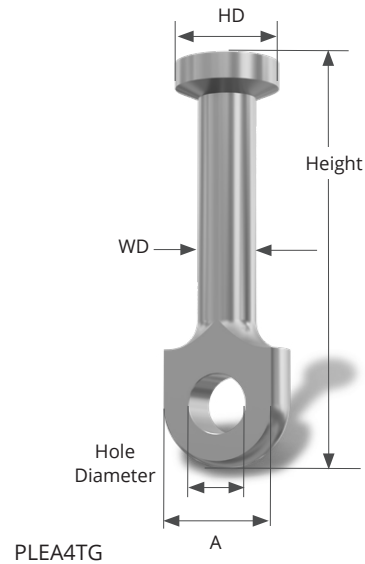


Eye Anchor

The Eye Anchor is an economical and high strength insert for the lifting and handling of precast elements. It is similar to the Dog Bone Anchor.

The Eye Anchor has an eye at the foot where tension bars can be looped through the insert. It is most beneficial when lifting thin slabs of lightweight concrete or elements requiring lifting at low compressive strengths (<2000 psi). The Eye Anchor provides maximum capacity when utilizing a tension bar and cast at the center of the panel.



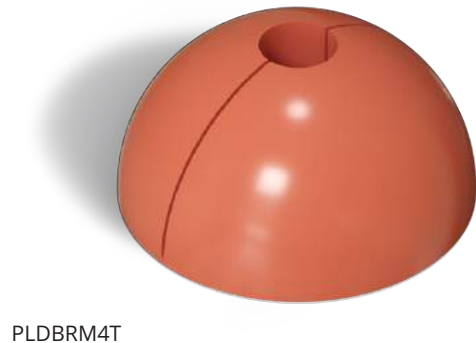
| Item # | Size (T) | Height | A | HD | WD | Hole Diameter | Weight (lbs) | Lifting Eye | Recess Former | SWL | Safety Factor | UML/T |
|-------------------|----------|---------|--------|---------|--------|---------------|--------------|-------------|---------------|-------|---------------|--------|
| Eye Anchor | | | | | | | | | | | | |
| PLEA1TG | 1T | 2 9/16 | 7/8 | 3/4 | 3/8 | 3/8 | .14 | PLLE1T | PLDBRM1T | 2000 | 4:1 | 8000 |
| PLEA2TG | 2T | 3 9/16 | 1 1/4 | 1 | 9/16 | 4/8 | .35 | PLLE2T | PLDBRM2T | 4000 | 4:1 | 16000 |
| PLEA4TG | 4T | 5 1/2 | 1 3/4 | 1 7/16 | 3/4 | 6/8 | .90 | PLLE4T | PLDBRM4T | 8000 | 4:1 | 32000 |
| PLEA8TG | 8T | 7 1/16 | 2 5/16 | 1 13/16 | 1 1/8 | 1 1/8 | 1.1 | PLLE8T | PLDBRM8T | 16000 | 4:1 | 64000 |
| PLEA20TG | 20T | 9 13/16 | 3 1/4 | 2 13/16 | 1 9/16 | 1 4/8 | 6.9 | PLLE20T | PLDBRM20T | 40000 | 4:1 | 160000 |

Material High Strength Steel SWL Safe Working Load
 Finish HDG UML/T Ultimate Mechanical Load in Tension (lbs)

Dog Bone Recess Former

Recess Former for use with PROLIFT Dog Bone Anchors.

| Item # | Size (T) | Material | Weight (lbs) | Color |
|--------------------------------------|----------|----------|--------------|--------|
| PROLIFT Dogbone Recess Former | | | | |
| PLDBRM1T | 1T | Rubber | .14 | Blue |
| PLDBRM2T | 2T | Rubber | .26 | Yellow |
| PLDBRM4T | 4T | Rubber | .55 | Orange |
| PLDBRM8T | 8T | Rubber | 1.1 | Green |
| PLDBRM20T | 20T | Rubber | 2.22 | Black |



PLDBRM4T