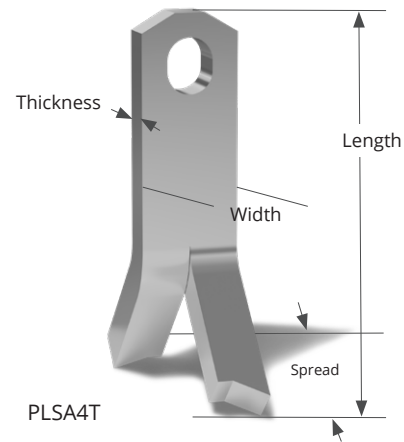


Spread Anchor

The Spread Anchor utilizes a unique spread-foot design to enhance pull-out capacity and allow for 360-degree load application with adequate edge distances. The Spread Anchor is ideal for face or edge lifting of panels during stripping, handling, or horizontal lifting to vertical rotation. Please note that the Spread Anchor can cause spalling of concrete when pulling in shear perpendicular to the void, regardless of edge distance.

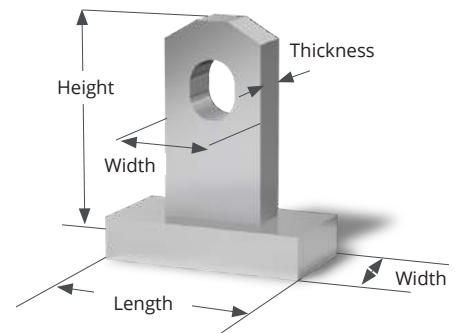


Item #	Size (T)	Length	Width	Thickness	Weight (lbs)	Spread	Lifting Clutch	Recess Former	SWL	Safety Factor	UML/T
Spread Anchor											
PLSA1T	1T	4 3/4	1 1/4	3/16	0.36	2 11/16	PLRC23T	PLRM1	2000	4:1	8000
PLSA2T	2T	5 1/2	1 1/4	3/8	0.80	2 5/8	PLRC23T	PLRM2	4000	4:1	16000
PLSA8T	8T	11	2 1/2	13/16	6.10	4 3/8	PLRC811T	PLRM811	16000	4:1	64000

Material High Strength Steel SWL Safe Working Load
 Finish HDG UML/T Ultimate Mechanical Load in Tension (lbs)

Plate Anchor

The Plate Anchor is a simple and effective anchor with high pullout strength and low-profile design. The anchor can be utilized for stripping from formwork, face lifts of thin-walled elements, and handling or erection applications. Recommended installation requires the crisscrossing of minimum 18" long #4 rebar over the lower plate of the anchor in both directions.



PLPA4T312

Item #	Size (T)	Length	Width	Height	Thickness	Weight (lbs)	Lifting Clutch	SWL	Safety Factor	UML/T
Plate Anchor										
PLPA2T214	2T	3 5/8	1 1/4	2 1/4	3/8	0.79	PLRC23T	4000	4:1	16000
PLPA4T3	4T	3 1/8	1 1/2	3	5/8	1.33	PLRC46T	8000	4:1	32000
PLPA4T312	4T	3 1/8	1 1/2	3 1/2	5/8	1.49	PLRC46T	8000	4:1	32000
PLPA4T438	4T	4	1 1/2	4 3/8	5/8	1.93	PLRC46T	8000	4:1	32000
PLPA8T614	8T	5	2 1/2	6 1/4	3/4	5.65	PLRC811T	16000	4:1	64000
PLPA8T718	8T	5	2 1/2	7 1/8	3/4	6.16	PLRC811T	16000	4:1	64000

Material High Strength Steel SWL Safe Working Load
 Finish HDG UML/T Ultimate Mechanical Load in Tension (lbs)