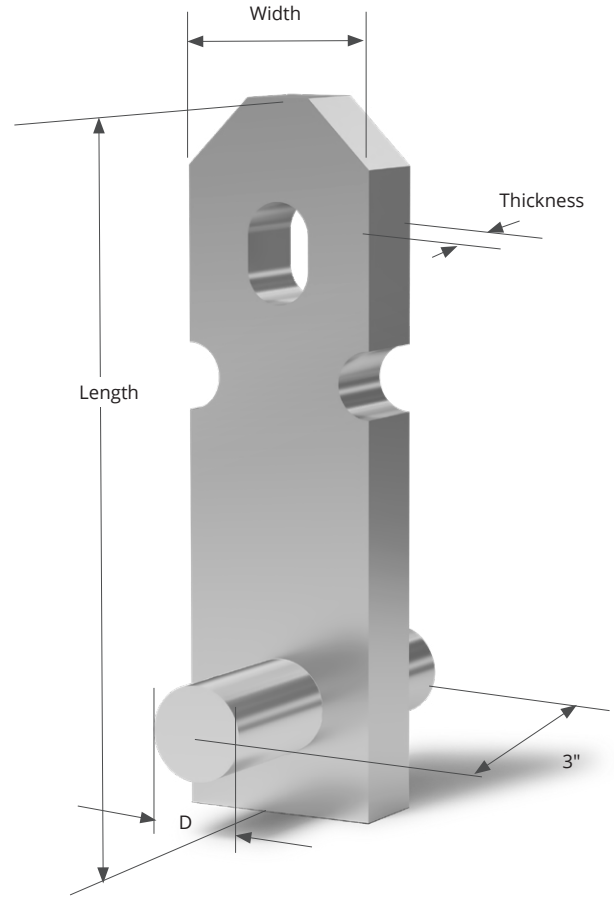


T-Bar Anchor

The Amifast T-Bar Anchor is another variation of the erection anchor and utilizes a horizontal bar running through the anchor, which results in a T-shape. The design produces higher pullout strength than related anchors and is ideal for use in back-stripping and panel rotation applications.



PLTBA4T514

Item #	Size (T)	Length	Width	Thickness	Weight (lbs)	D	Lifting Clutch	Recess Former	SWL	Safety Factor	UML/T
T Bar Anchor											
PLTBA2T4	2T	4	1 1/4	3/8	0.64	1/2	PLRC23T	PLRM2	4000	4:1	16000
PLTBA4T414	4T	4 1/4	1 1/2	5/8	1.18	11/16	PLRC46T	PLRM46	5500	4:1	32000
PLTBA4T514	4T	5 1/4	1 1/2	5/8	1.41	11/16	PLRC46T	PLRM46	8000	4:1	32000
PLTBA4T614	4T	6 1/4	1 1/2	5/8	1.61	11/16	PLRC46T	PLRM46	8000	4:1	32000
PLTBA4T714	4T	7 1/4	1 1/2	5/8	1.92	11/16	PLRC46T	PLRM46	8000	4:1	32000

Material High Strength Steel D Wire Diameter UML/T Ultimate Mechanical Load in Tension (lbs)
 Finish HDG SWL Safe Working Load