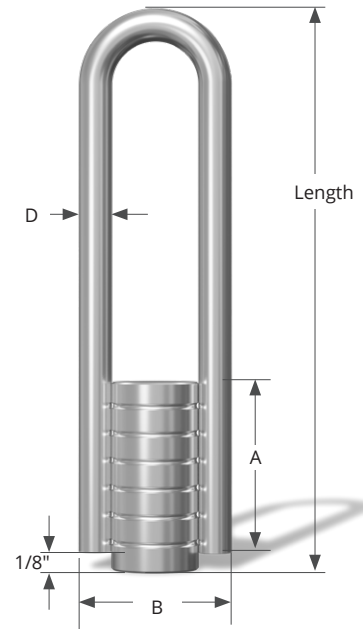


Straight Ferrule Loop Insert

The Straight Ferrule Loop Insert is tapped to accept an NC threaded bolt, providing for fixation to concrete elements.

Proper installation requires the insert to be cast perpendicular to the face of the element, with the opening to the threads level to the face of the element. Any misalignment of the insert will result in a reduction of safe working load capacity.



FI12418SLZ

Item #	Thread Size	Length	Finish	A	B	D	TPI	SWL	Safety Factor	UML/T	Weight (lbs)
Straight Ferrule Loop Insert - Zinc Plated											
FI12418SLZ	1/2	4 1/8	ZP	1 3/8	1 1/8	.223	13	3000	3:1	9000	0.216
FI12618SLZ	1/2	6 1/8	ZP	1 3/8	1 1/4	.306	13	5000	3:1	15000	0.405
FI58SLZ	5/8	2 1/2	ZP	1 5/8	1 1/2	.306	11				0.244
FI58618SLZ	5/8	6 1/8	ZP	1 5/8	1 5/8	.306	11	5000	3:1	15000	.48
FI34418SLZ	3/4	4 1/8	ZP	1 5/8	1 3/8	.223	10	3000	3:1	9000	0.286
FI34618SLZ	3/4	6 1/8	ZP	1 5/8	1 3/4	.306	10	5000	3:1	15000	0.487
Straight Ferrule Loop Insert - Stainless Steel											
FI12418SLSS	1/2	4 1/8	SS	1 3/8	1 1/8	.223	13	3000	3:1	9000	0.216
FI12618SLSS	1/2	6 1/8	SS	1 3/8	1 1/4	.306	13	5000	3:1	15000	0.405
FI34418SLSS	3/4	4 1/8	SS	1 5/8	1 3/8	.223	10	3000	3:1	9000	0.286
FI34618SLSS	3/4	6 1/8	SS	1 5/8	1 3/4	.306	10	5000	3:1	15000	0.487

ZP Zinc Plated
 SS Stainless Steel
 TPI Threads Per Inch

SWL Safe Working Load
 UML/T Ultimate Mechanical Load in Tension (lbs)