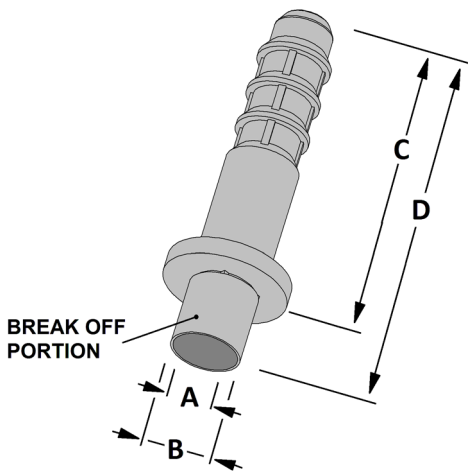


Description:

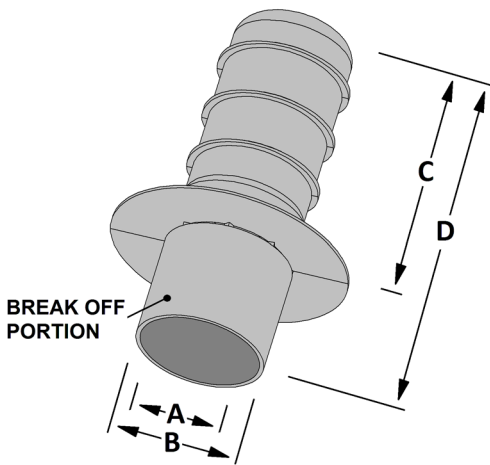
The range of break off plugs are used to create voids in cast concrete for the purpose of creating lifting holes, step fixing, handle fixing, cable management etc. They are pushed into a hole in the formwork which supports them whilst the concrete is cast. Once the concrete has hardened, the end of the plug which was pushed into the formwork snaps off as the formwork is removed leaving the plug in the concrete ready for use.



### Plug 14mm flange flat

The plug has a flat flange for fitting to flat surfaces. The internal diameter is sized to accept 14mm components and be pushed into a 19mm formed hole in the concrete formwork.

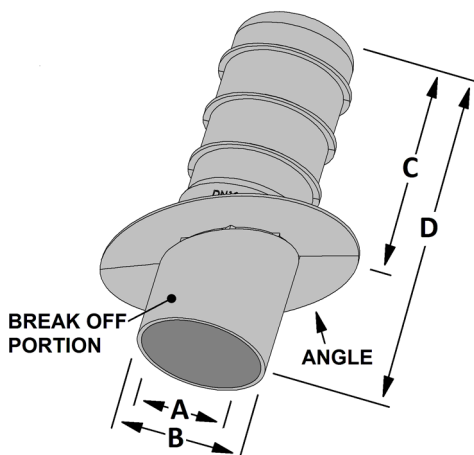
Code	A (internal diameter)	B (breakoff diameter)	C (plug casting length)	D (overall length)
SP197	14 mm	19 mm	84 mm	104 mm



### Plug 27mm flange flat

The plug has a flat flange for fitting to flat surfaces. The internal diameter is sized to accept 27mm components and be pushed into a 35mm (1 3/8") formed hole in the concrete formwork.

Code	A (internal diameter)	B (breakoff diameter)	C (plug casting length)	D (overall length)
SP194	27 mm	35 mm	70 mm	100 mm



### Plug 27mm flange angle

The plug has an angled flange for fitting to curved surfaces. The internal diameter is sized to accept 27mm components and be pushed into a 35mm (1 3/8") formed hole in the concrete formwork.

Code	A (internal diameter)	B (breakoff diameter)	C (plug casting length)	D (overall length)
SP195	27 mm	35 mm	70 mm	100 mm