



Box Forming Systems



Box Forms Engineered to Last

- One-Piece
- Two-Piece
- Fold Back
- Roll Back
- Slab Top

Heavy steel construction designed for strength, durability and performance

Afinitas is known for bringing together the top engineering and manufacturing expertise in the industry to build best-in-class precast forming systems. Our wide range of quality products are backed by knowledgeable and responsive customer sales and manufacturing team members who are there to assist you throughout the life of your form. And to that point, our forms are built to last. We combine heavy-duty steel with an innovative approach to manufacturing that will ensure we can help you take your business where you want to grow.

Box forming products are a core competency of the Afinitas team. We have been trusted for decades to engineer a wide variety of box forming systems, including:

- One-Piece
- Two-Piece
- Fold Back
- Roll Back
- Slab Top



One-Piece Box Form



Roll-Back Form



Slab Top Form



Afinitas is your source
for Wetcast Forming Systems.

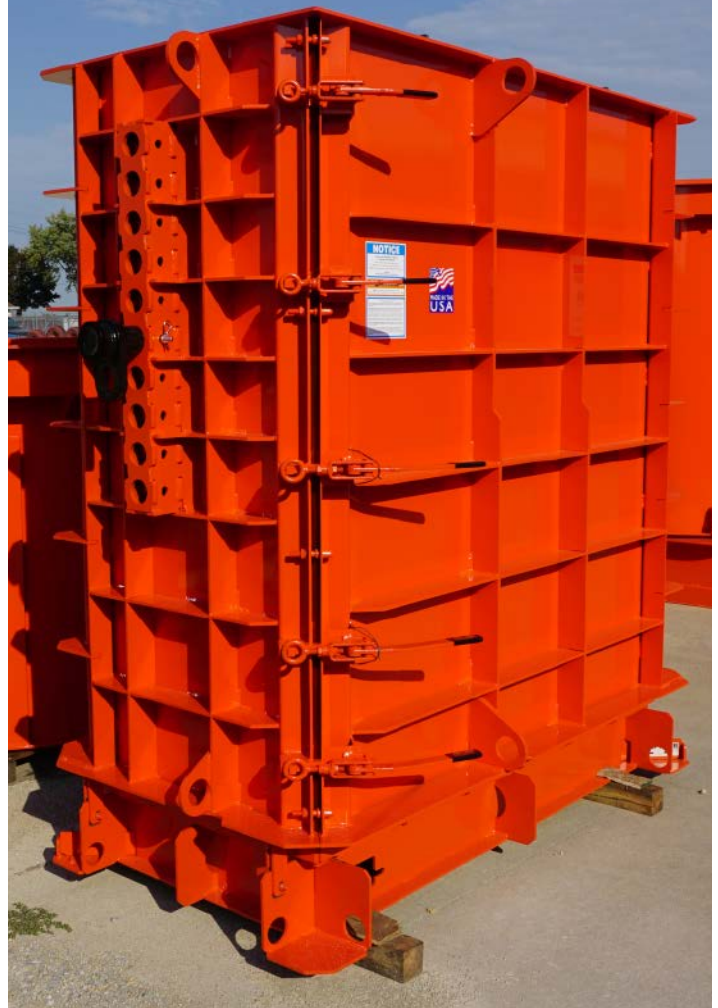
Contact our team at
+1 641-394-4111
or email rfq@afinitas.com

Two-Piece Form

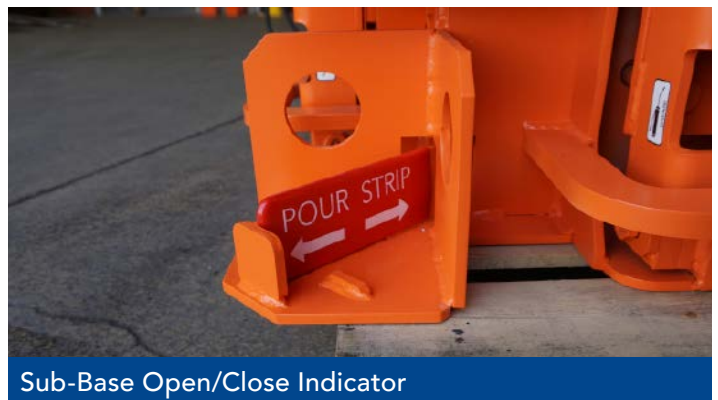
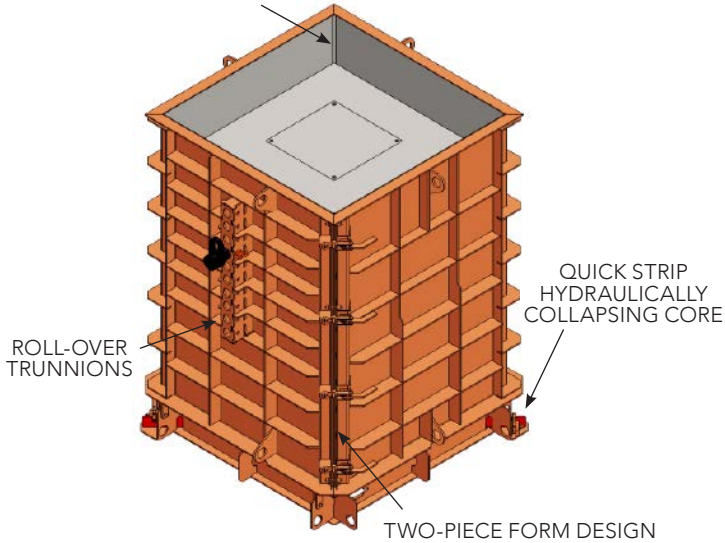
Overall, a straight base two-piece form is a versatile and safe way to create precast concrete base manholes with simple shapes and features like those used for sidewalks, driveways, storm drains and utility access. The form is easy to handle and we produce them with the precise dimensions and exact features required for your specific project. Two-piece forms are ideal when using hole former blockouts for inlet/outlet drainage holes.

The Afinitas Advantage

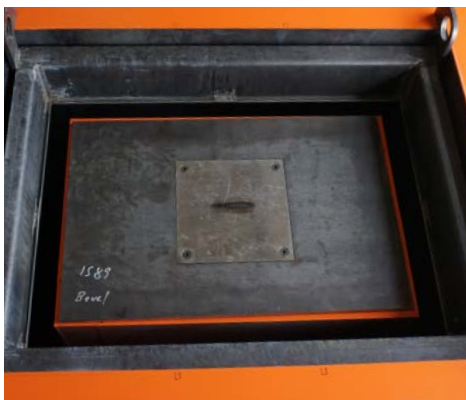
- Quick pin, swivel eye roll-over trunnions
- Hydraulic collapsing inner core
- Two-piece L-shaped outer form with toggle clamps, top and bottom lifting eyes and roll-over trunnions
- **"Quick Strip" Sub-Base**
With Quick Strip, there is no need to handle the inner core or bolt down core top as the inner core is hydraulically collapsed. This simple, easy, and safe process reduces crane picks saving time and money.



CHAMFER STRIP "OPTIONAL"



Sub-Base Open/Close Indicator



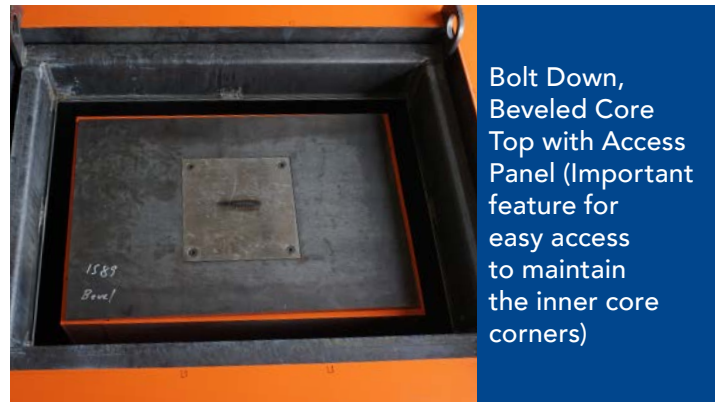
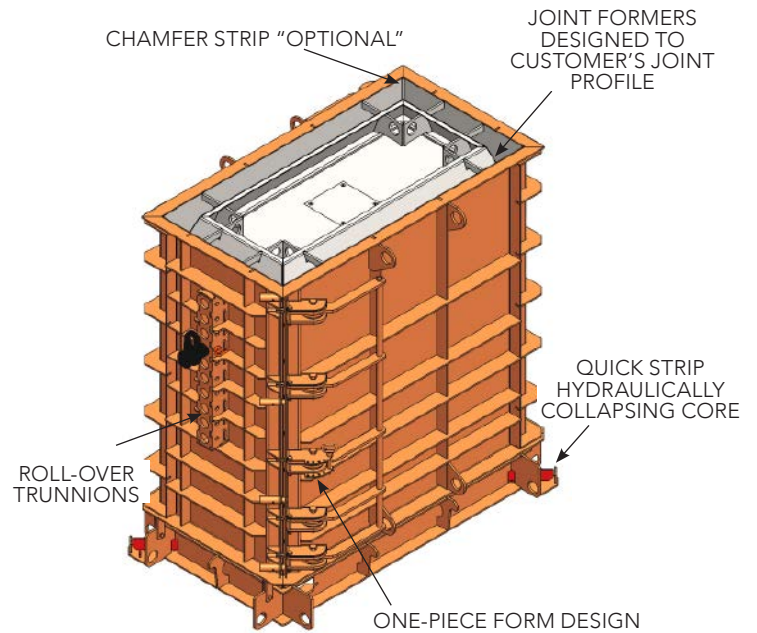
Bolt Down, Beveled Core Top with Access Panel (Important feature for easy access to maintain the inner core corners)

One-Piece Form

The one-piece design is ideal for simpler, smaller box products. We make them easy to use and easy to handle to facilitate faster installation. In addition, one-piece forms are perfect when coring holes for inlet/outlet drainage holes.

The Afnitas Advantage

- One-Piece, "Ganged Outer Form" includes gang latch form hardware, top and bottom lifting eyes and roll-over trunnions
- Quick pin, swivel eye roll-over trunnions
- Hydraulic collapsing inner core
- "Quick Strip" Sub-Base
With Quick Strip, there is no need to handle the inner core or bolt down core top as the inner core is hydraulically collapsed. This simple, easy, and safe process reduces crane picks saving time and money.



Ganged Form Latch with Open/Close Lock



Sub-Base Open/Close Indicator

Standard "Quick Strip" Hydraulic Core for All Box Forms



Two Opposite Hydraulic Open/Close Wedge Corners



 **SmartConnect®***
Save Time, Work Safer

Cordless Hydraulic Power System for Collapsible Cores

With SmartConnect®, you have a self-contained hydraulic power unit that is mounted directly on the form and powered by a standard 20 volt - 1/2" drive cordless drill that uses the same hydraulics to operate the core to open and close.

Benefits of SmartConnect®

- Save time — at least 10 mins. or more per form!
- Increased Safety
- Space Saver
- Flexible
- Quick Payback

*patented technology



SmartConnect® is mounted directly on the form to power the collapsible core hydraulics.

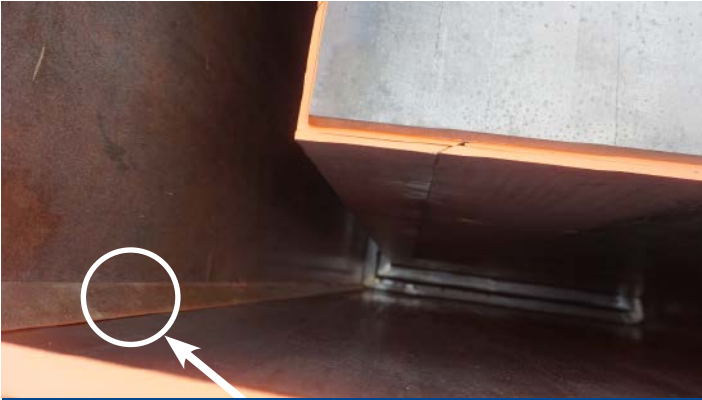


The self-contained unit is not dependent on any other equipment except a standard 20 volt - 1/2" drive cordless drill.

Watch the SmartConnect®
Cordless Hydraulic Power
System Video



One-and Two-Piece Form Options



Option: Chamfer Strip In All Four Form Corners

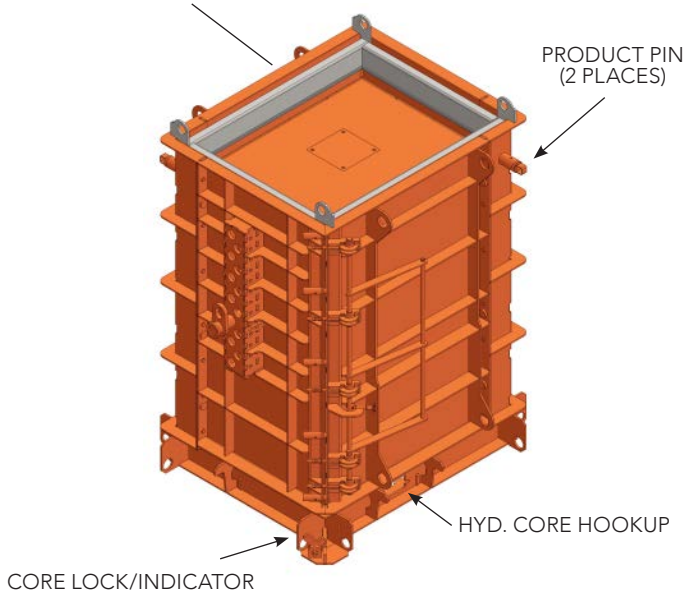


Option: Fork Truck Pockets



Option: Full-Length Roll-Over Trunnions
(Straight Monolithic Base Forms Only!)

OPTION:
(1) SET 6' WALL CORNER KIT (SHOWN)
(1) SET 4" WALL CORNER KIT (NOT SHOWN)



Option: SmartConnect®

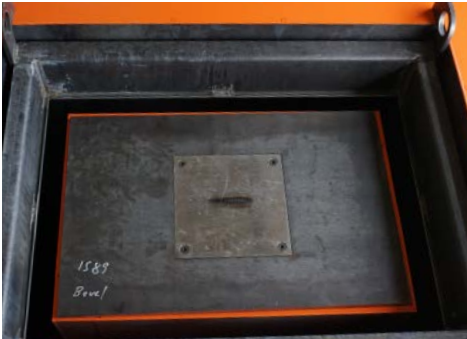
Fold Back Form Design

The Afinitas Advantage

- Includes toggle clamps, lifting eyes and spring assist hinges
- Hydraulic collapsing inner core
- "Quick Strip" Sub-Base
With Quick Strip, there is no need to handle the inner core or bolt down core top as the inner core is hydraulically collapsed. This simple, easy, and safe process reduces crane picks saving time and money.
- Fold Back forms come with spring assist hinges. Spring assist hinges help aid the operator while opening and closing the form doors.



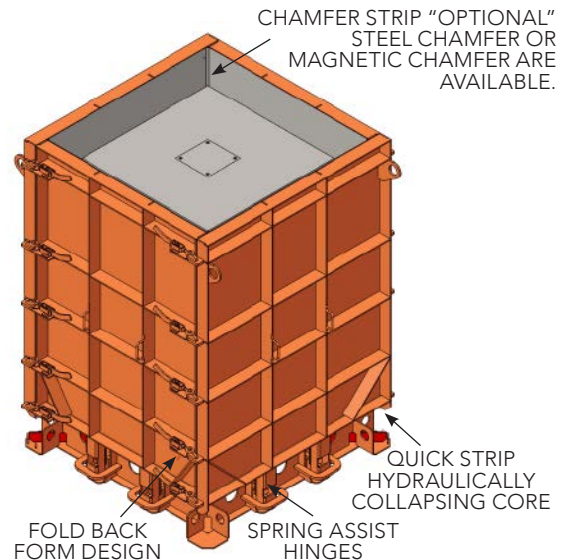
Sub-Base Open/Close Indicator



Bolt Down, Beveled Core Top with Access Panel (Important feature for easy access to maintain the inner core corners)



Spring Assist Form Hinges



CHAMFER STRIP "OPTIONAL" STEEL CHAMFER OR MAGNETIC CHAMFER ARE AVAILABLE.

FOLD BACK FORM DESIGN, SPRING ASSIST HINGES, QUICK STRIP HYDRAULICALLY COLLAPSING CORE

Roll Back Form Design

- Includes toggle clamps, lifting eyes and (4) roll back form doors
- Hydraulic collapsing inner core
- **"Quick Strip" Sub-Base**
With Quick Strip, there is no need to handle the inner core or bolt down top as the inner core is hydraulically collapsed. This simple, easy, and safe process reduces crane picks saving time and money.

The Afnitas Advantage

NextGen Form Set Features

- Same form quality/life span
- Streamlined design reduces floor space needed by approx. 35%
- Approx. 16" shorter in height

Core

- Bolt-down core top with bolt-on access panel
- Open/Close indicators
- SmartConnect® Hydraulic System
- Adjustable reversible groove/tongue forming pallet
- Adjustable pallet support stool with receiver cups
- Tongue header, open top

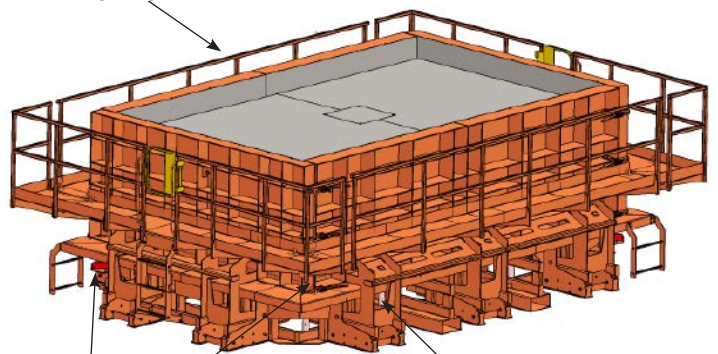
Form

- Roll Back, open/close form panels
- V-Groove wheels with sealed roller bearings
- Two-Sided catwalk with safety doors and anti-slip ladder rungs
- Standard 18" form door travel
- Form door open/close locks
- Fork Truck pockets (option)

Safety Catwalks with Safety Doors



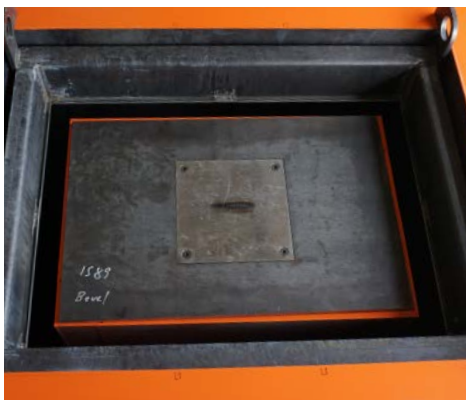
WRAP-AROUND CATWALK "OPTIONAL"



ROLL BACK FORM DESIGN

QUICK STRIP HYDRAULICALLY COLLAPSING CORE

TELESCOPING LEG EXTENSION "OPTIONAL"

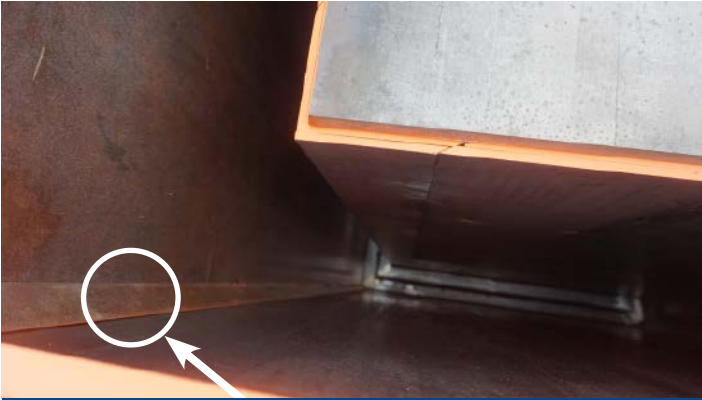


Bolt Down,
Beveled Core
Top with Access
Panel (Important
feature for
easy access
to maintain
the inner core
corners)



Sub-Base Open/Close Indicator

Additional Fold Down and Roll Back Form Options



Option: Chamfer Strip In All Four Form Corners



Option: Fork Truck Pockets

Option: Safety Catwalk Assembly (Available on One Side, Two Sides or All Four Sides). OSHA Compliant Catwalks Include Ladder with Slip Knot Rungs and Safety Hinged Door



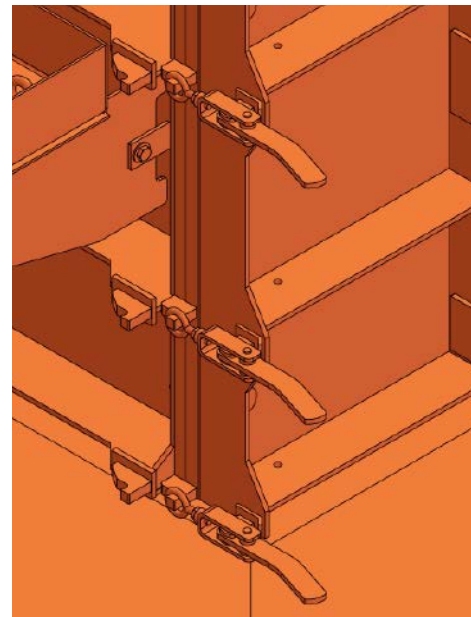
Ganged Form Latch with Open/Close Latch Lock Saves Time Opening and Closing vs. Individual Form Toggle Clamps, Especially for Taller Forms Where a Ladder May Be Needed



Option: SmartConnect®



Option: Form Door Open/Close Locks



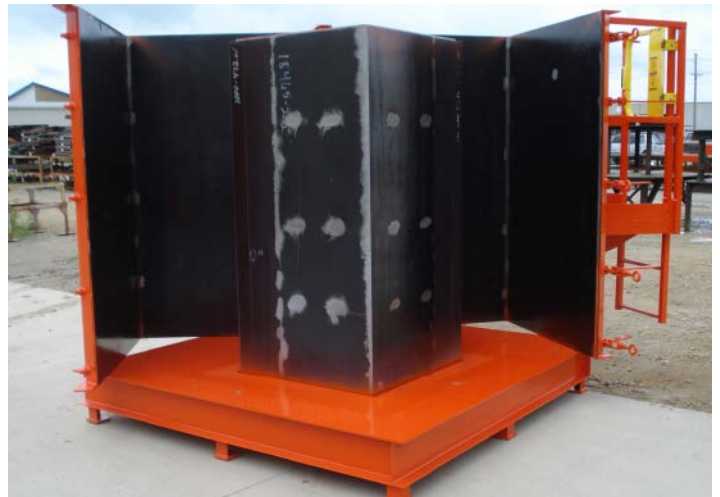
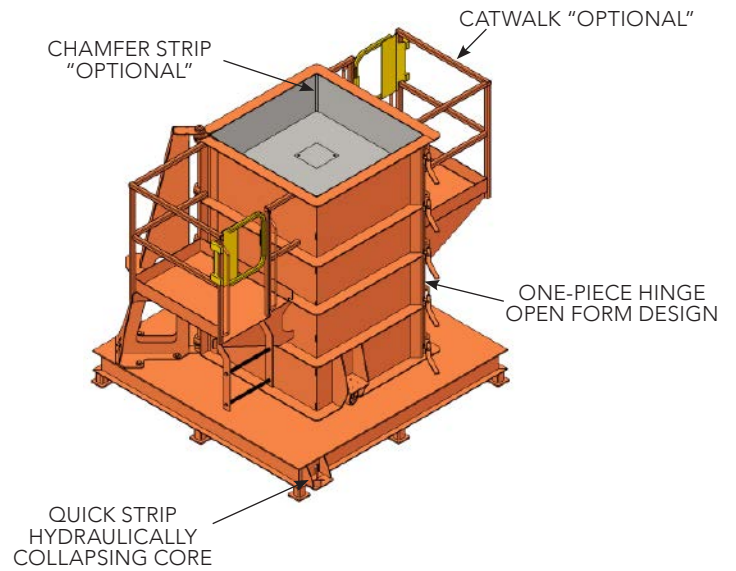
Option: Roll Back Form Only, Wall Extension Kit (Form to Produce 6" Walls with 8" Wall Kit Shown)



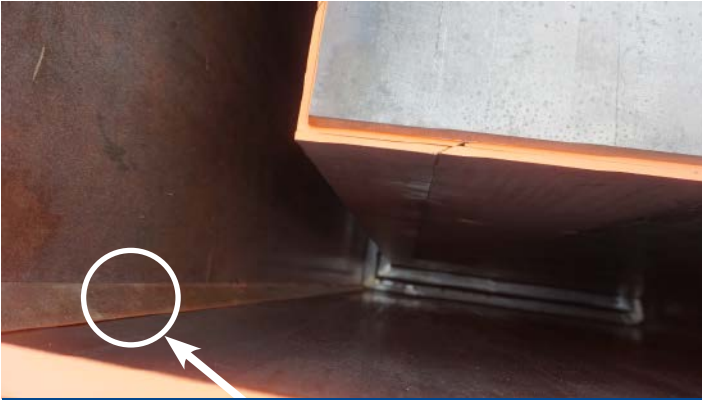
Custom Hinged Form Design

The Afinitas Advantage

- "Hinged - Clam Shell Form" includes toggle clamps, lifting eyes and clam shell form doors
- Hydraulic collapsing inner core
- "Quick Strip" Sub-Base
With Quick Strip, there is no need to handle the inner core or bolt down core top as the inner core is hydraulically collapsed. This simple, easy, and safe process reduces crane picks saving time and money.



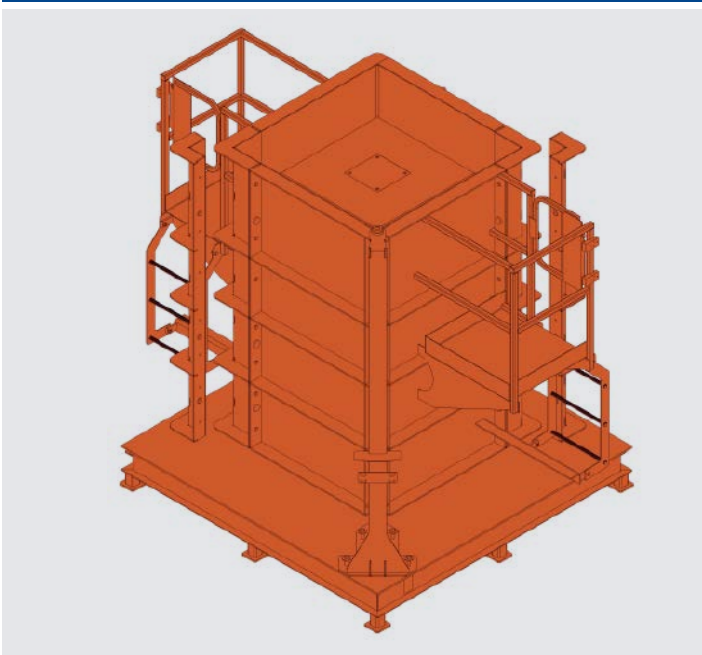
Additional Hinged Form Options



Option: Chamfer Strip In All Four Form Corners



Option: Fork Truck Pockets



Option: Roll Back Form Only, Wall Extension Kit (Form to Produce 6" Walls with 8" Wall Kit Shown)

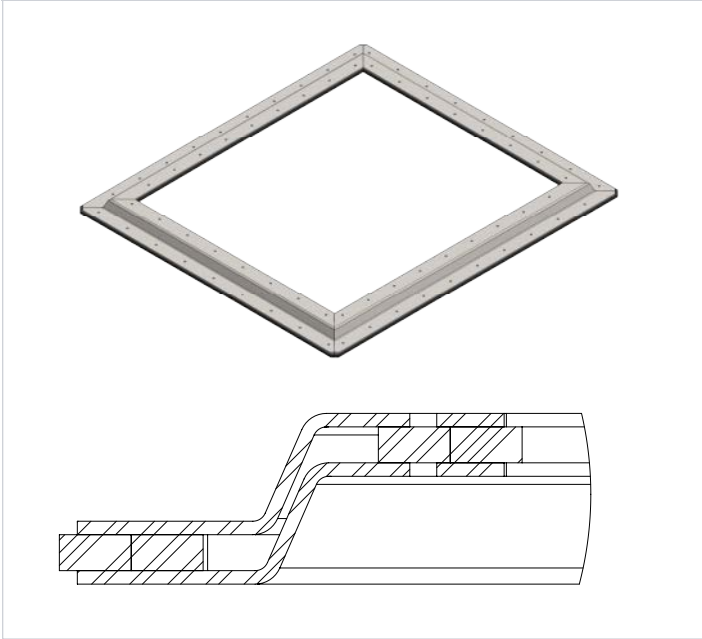
Option: Safety Catwalk Assembly (Available on One Side, Two Sides or All Four Sides). OSHA Compliant Catwalks Include Ladder with Slip Knot Rungs and Safety Hinged Door.



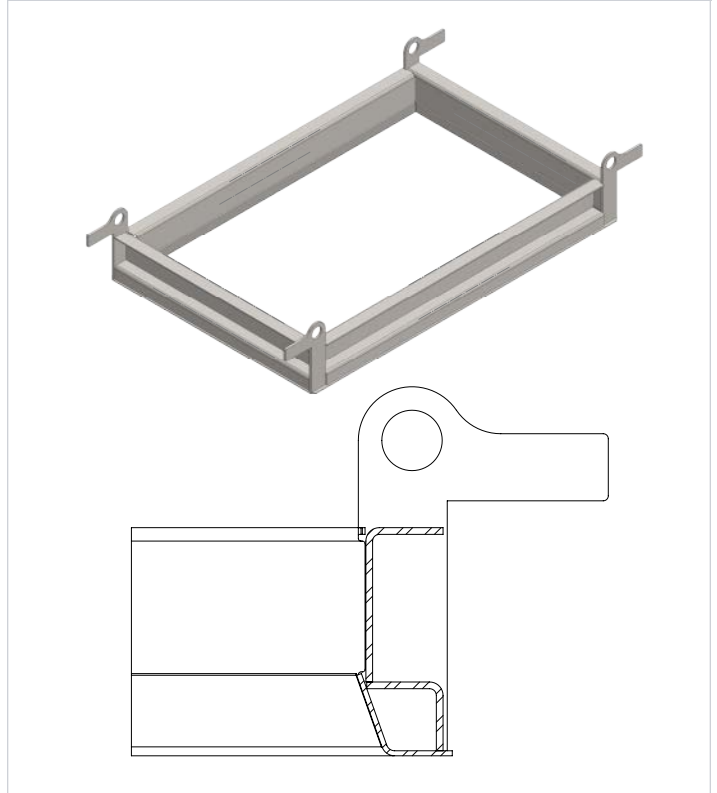
Ganged Form Latch with Open/Close Latch Lock Saves Time Opening and Closing vs. Individual Form Toggle Clamps, Especially for Taller Forms Where a Ladder May Be Needed



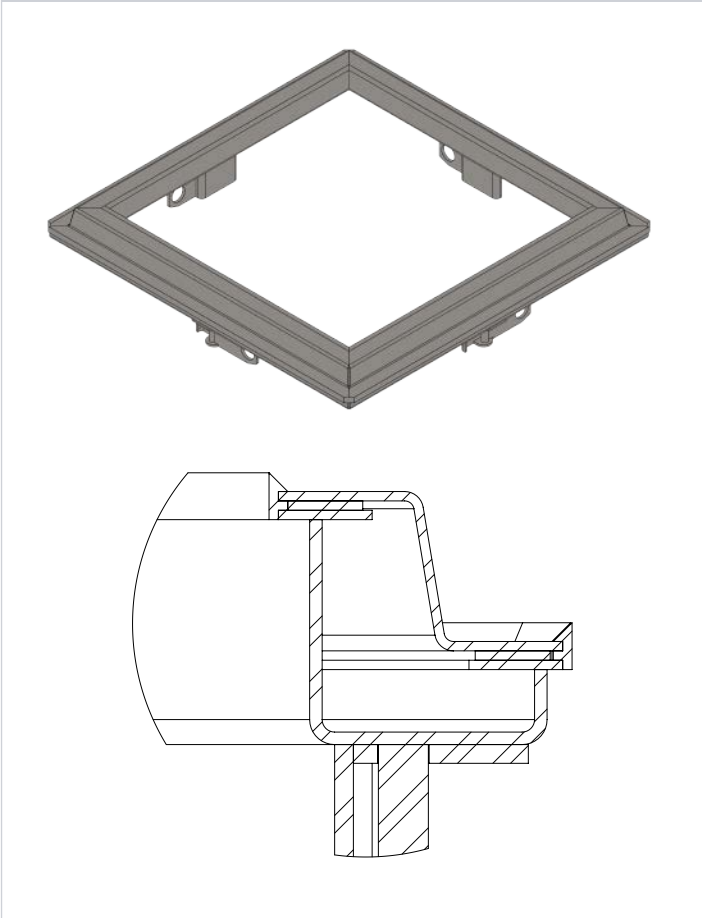
Reversible Tongue/Groove Forming Mortar Joint Pallet
With ID/OD Rubber Seals



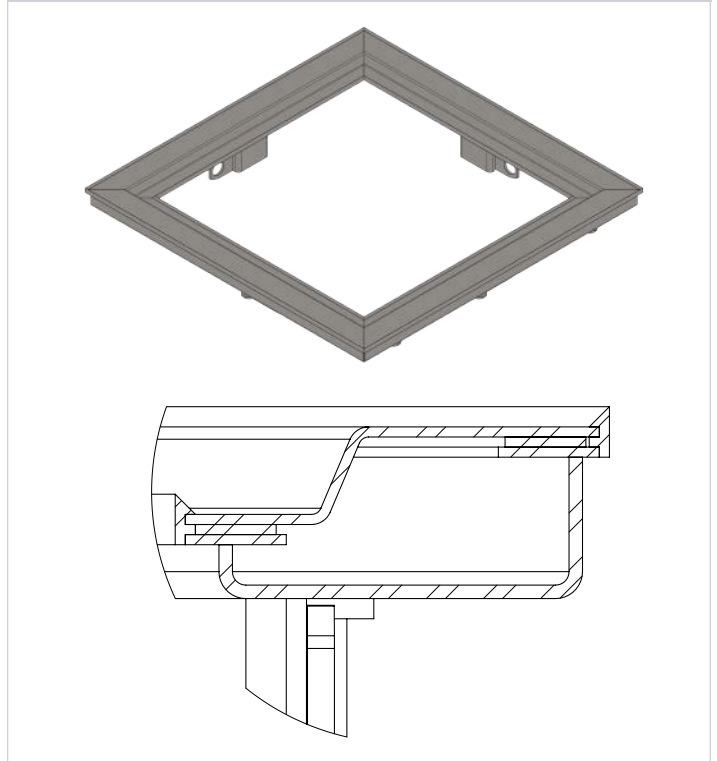
Tongue Forming, Open Top, Mortar Joint Header with
Form Tabs/Lifting Eyes



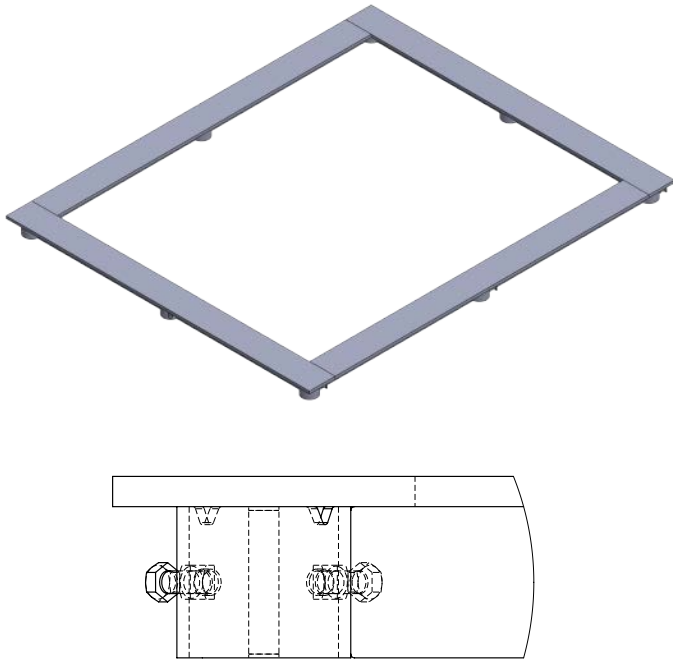
Groove Forming, Mortar Joint Pallet with ID/OD
Chamfer Rubber Seals and Swivel Lifting Eyes



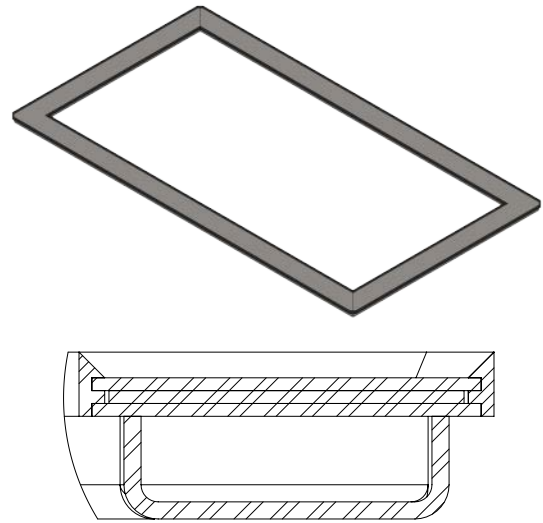
Tongue Forming, Mortar Joint Pallet with ID/OD
Chamfer Rubber Seals and Swivel Lifting Eyes



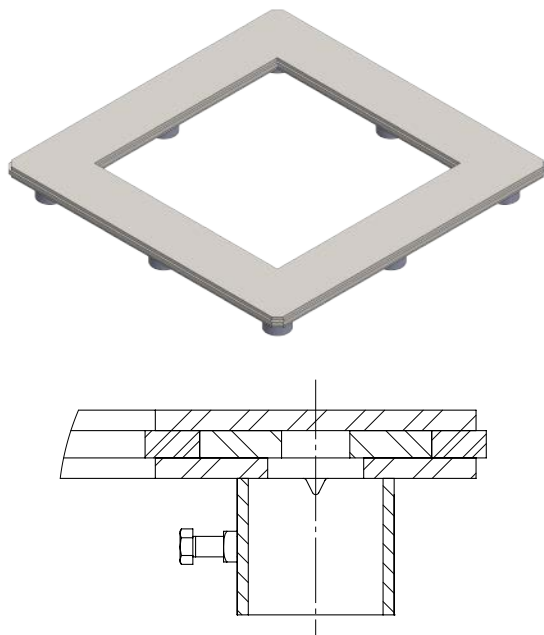
Adjustable Pallet Support Stool (Standard stool comes with 2 1/2" diameter receiver pipe for customers 2" sch. 40 pipe legs)



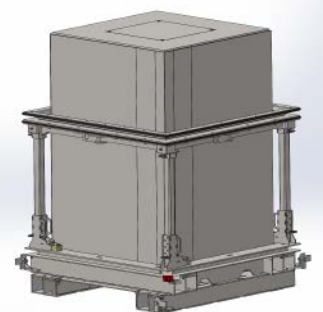
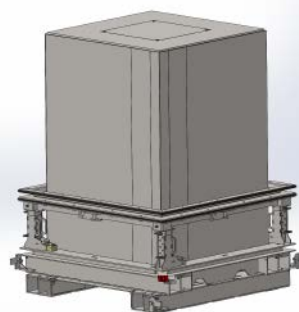
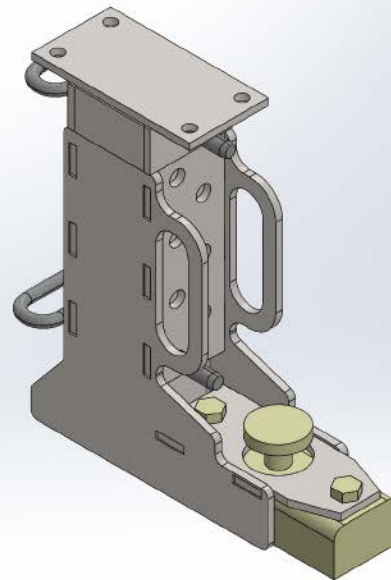
Adjustable Flat Pallet Support Stool with ID/OD Chamfer Rubber Seals and Swivel Lifting Eyes (Standard stool comes with 2 1/2" diameter receiver pipe for customers 2" sch. 40 pipe legs)



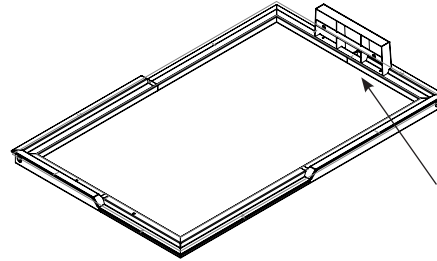
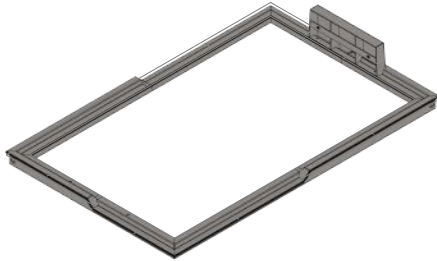
Adjustable Flat Pallet Support Stool with ID/OD Rubber Seals (Standard stool comes with 2 1/2" diameter receiver pipe for customers 2" sch. 40 pipe legs)



OPTION: SmartJax® magnetic adjustable pallet stool

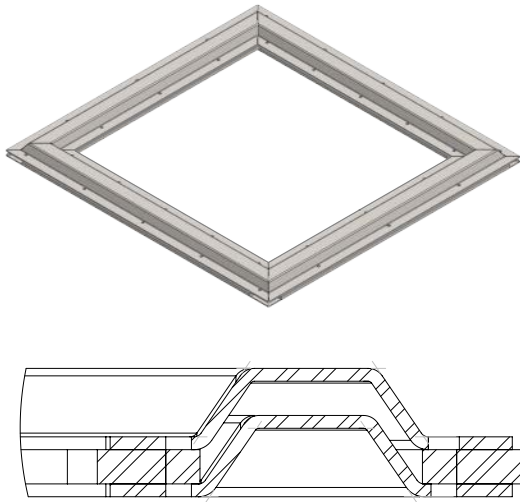


50-50 Tongue/Groove Forming, Mortar Joint Pallet with ID/OD Rubber Seals

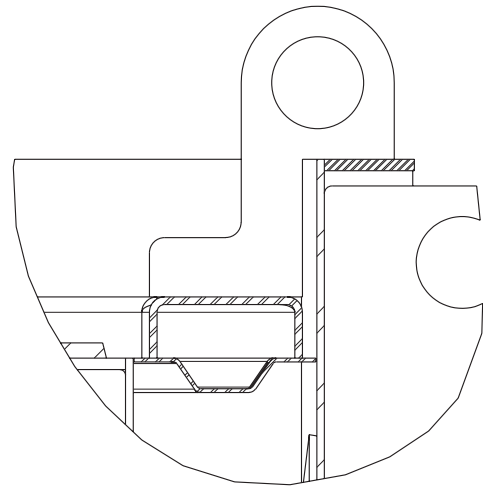


MAGNETS HOLD
BLOCKOUT TO CORE SKIN,
DOWEL PINS LOCATE
BLOCKOUT TO PALLET

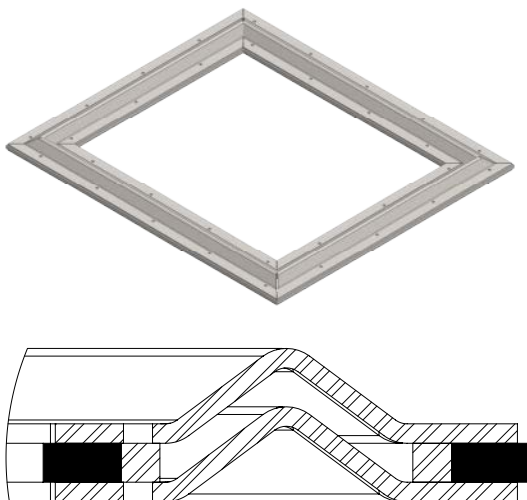
Key Lock, Reversible Tongue/Groove Forming, Mortar Joint Pallet with ID/OD Rubber Seals



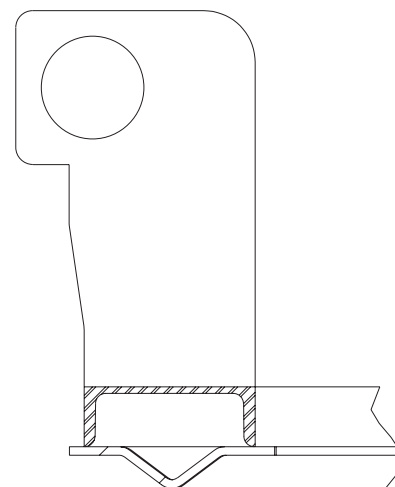
Key Lock Header, Closed Top, Mortar Joint Header, with Form Tabs/Lifting Eyes



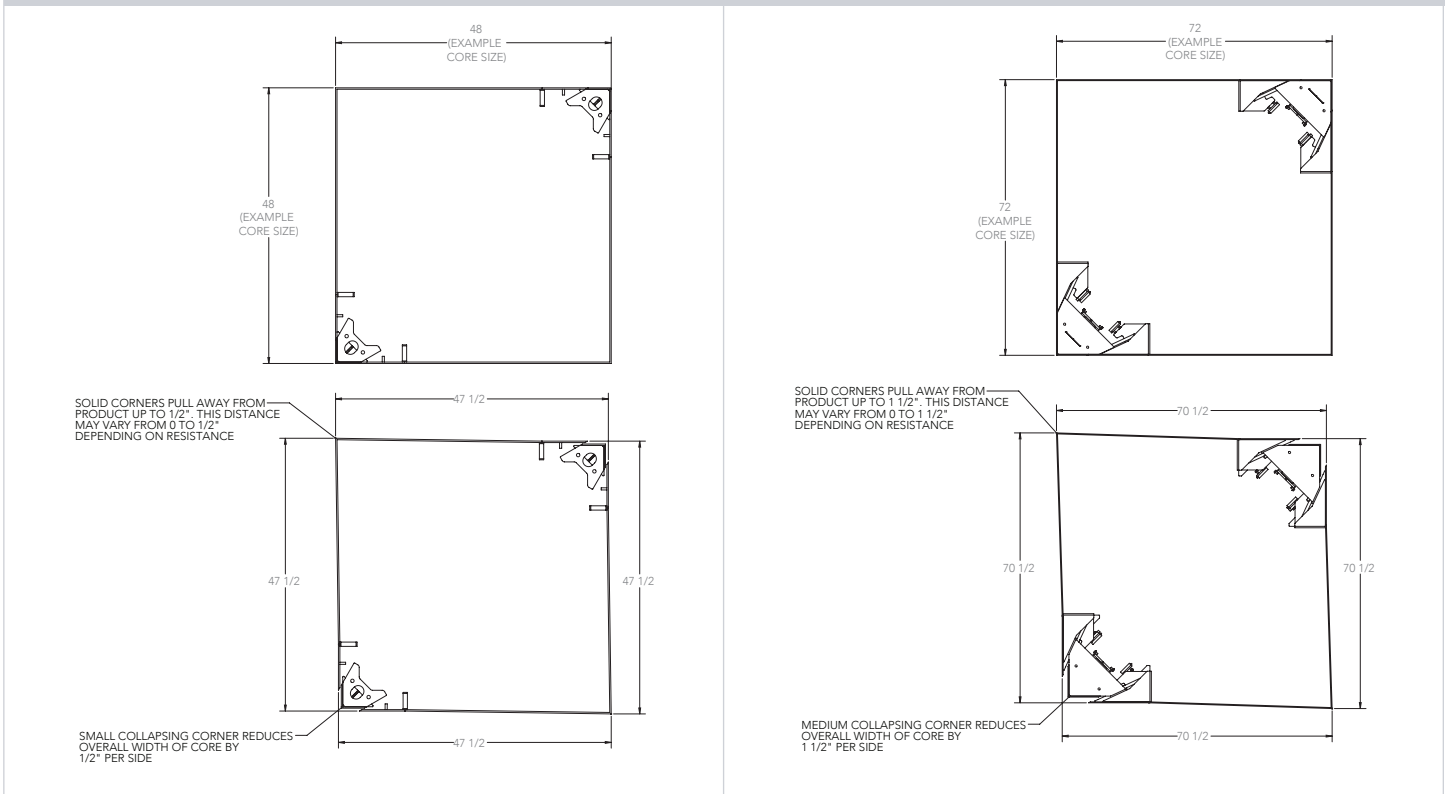
V-Groove, Reversible Tongue/Groove Forming, Mortar Joint Pallet with ID/OD Rubber Seals



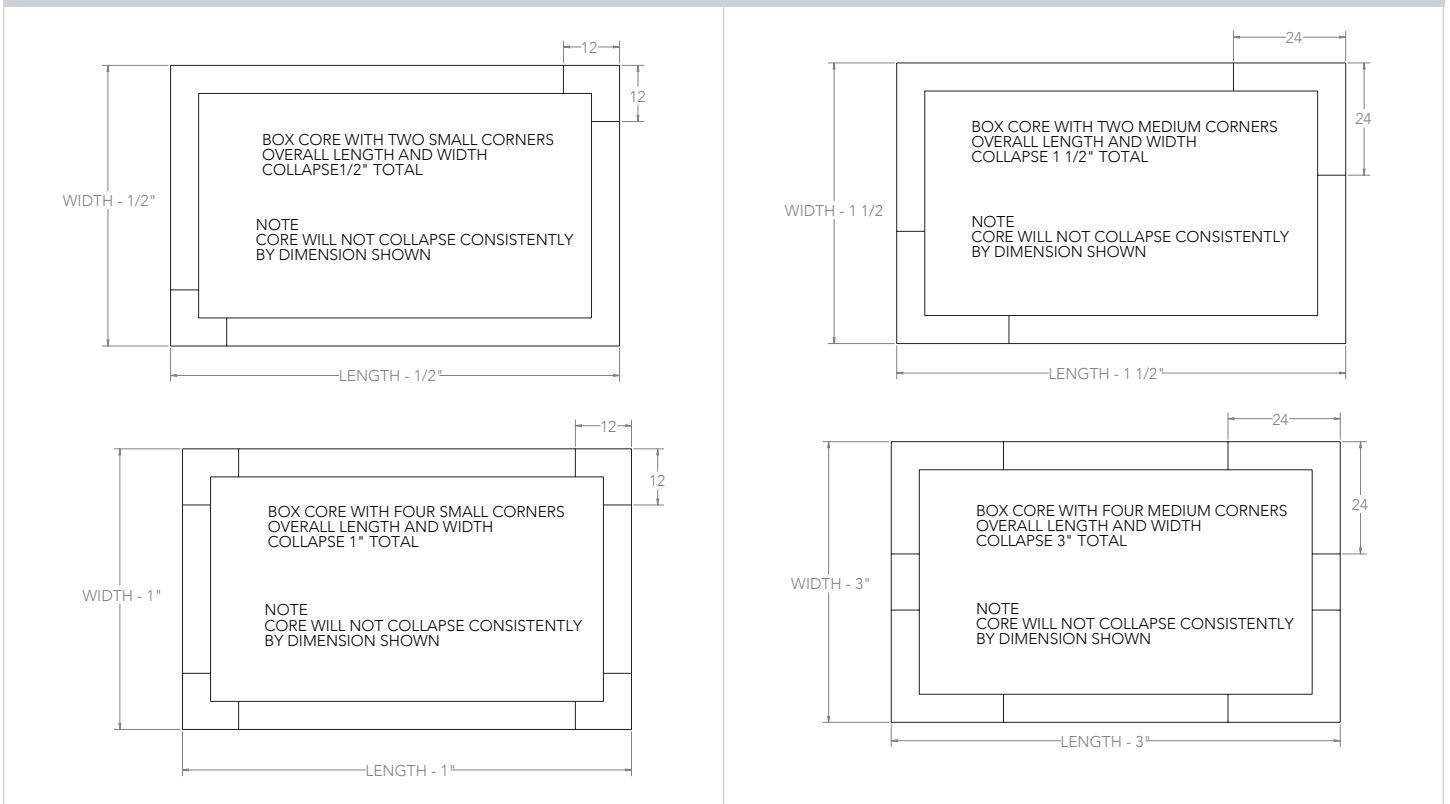
V-Groove Header



Box Core Open/Close Diagram



Box Core Collapsing Diagram



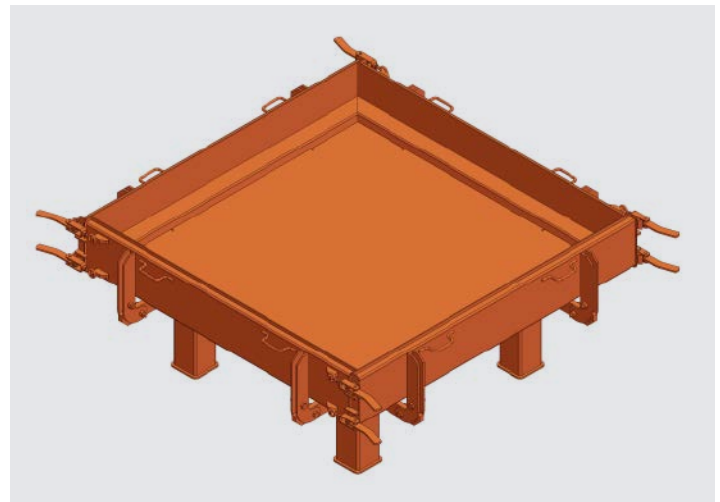
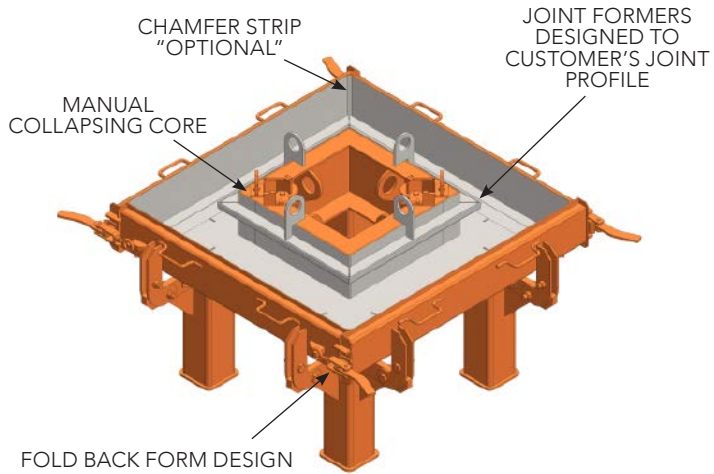
Slab Top Form Design

The Afinitas Advantage

- Fold Back Form Doors include form toggle clamps, hinges and door grab handles
- Sub-Base raised to working height for safe and easy ergonomics



60" x 60" x 80" Thick Slab Top – 6" Walls



Introducing SmartRoll® Intelligent Safety Brake for Controlled Form Roll-Overs

With SmartRoll, you control the roll-over process. Unlike traditional manual methods that utilize form trunnions and crane/hoists to flip the product, sometimes relying on sand piles or similar materials to cushion the roll-over, Afinitas offers an innovative, simple-to-use friction brake system to reduce roll-over speed and momentum. With swinging motions nearly eliminated, operations can be performed faster with fewer safety risks.

Why Choose SmartRoll®?

Reduce the Risk from Form Roll-Overs. Why put your employees or equipment in harm's way? Our adjustable, friction brake controller is designed to safely reduce the speed of form roll-overs before they become a hazard to employees, form equipment or your production schedule.

Built for Ultimate Control

We engineered our controllers with the operator in mind. They are uniquely outfitted with special replaceable urethane inserts that have a high load-bearing capacity making it easy to apply the exact amount of torque required to produce a very consistent and controlled roll-over.

Limit Wear and Save Money

Eliminating the forces of violent roll-overs greatly reduces the stress on your crane equipment and helps prevent damage to your forms saving on repair and replacement costs. Furthermore, our replaceable urethane insert lessens steel-on-steel contact and helps avoid more expensive replacements of trunnion shafts.

In-Stock Selection

We stock the three sizes listed below and their replacement parts.

- **Small Controller** – Part # 1000-699
- **Large Controller** – Part # 1000-700
- **XL Controller** – Part # PD-HD-0693

Watch the SmartRoll®
Intelligent Safety Brake Video



SmartRoll® installed on form

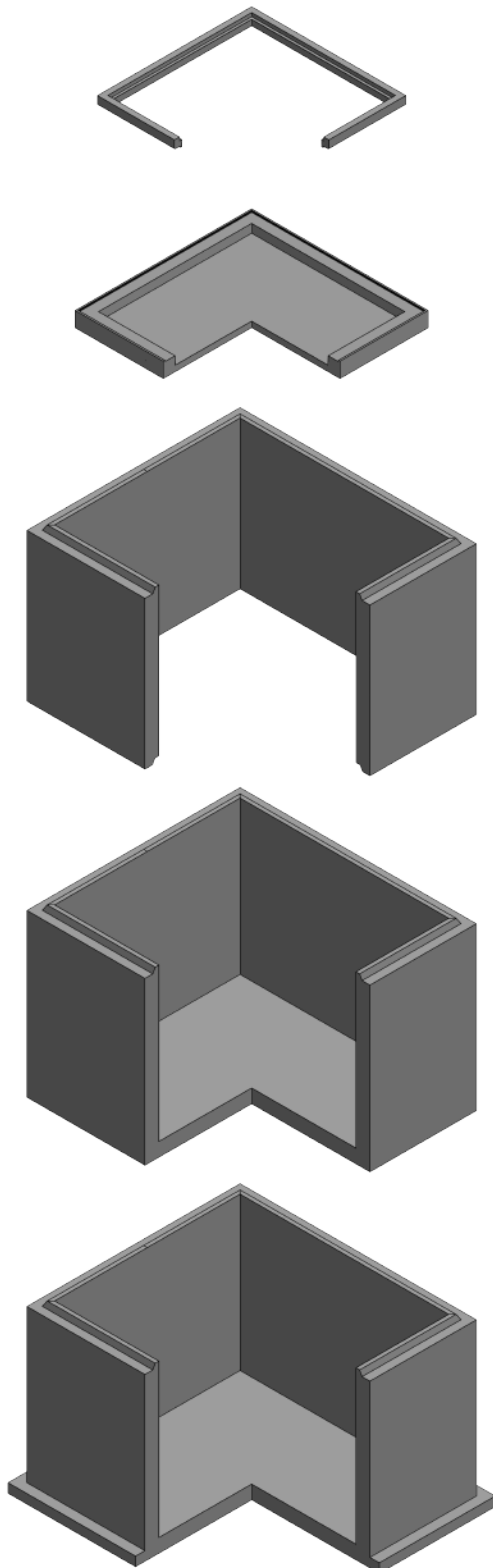


SmartRoll® can reduce form swinging by up to 90%

A revolutionary way to firmly stool up pallets inside concrete forms.

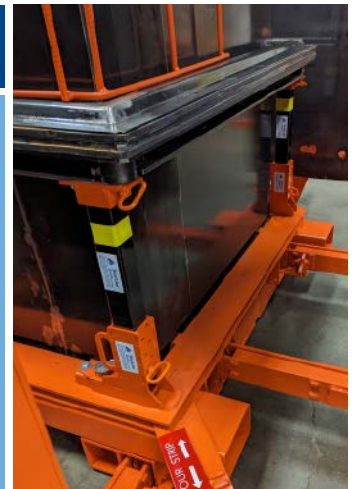
Product Highlights

- 6000 pound capacity**
- 12" overall height with adjustment from 12" to 23" in 1" increments — making it simple to size to your requirements
- 1000 pound on/off button base magnet for attachment to form sub-base
- Interchangeable leg tube heights



SmartJax[®] can be used on both box and round forms.

* Patent-pending.
 ** Depending on pallet design, a minimum of 3 to 4 SmartJax[®] (or more) are to be used at all times to support a flat pallet, pallet support stool, joint forming pallet or any combination along with the concrete load. Previously designed or other equipment manufacturers flat pallets, pallet support stools and joint forming pallets may require higher quantity of SmartJax[®] to be used.



Afinitas brings you the industry's best formwork and a whole lot more.

Afinitas is the premier platform of precast concrete infrastructure equipment and services.

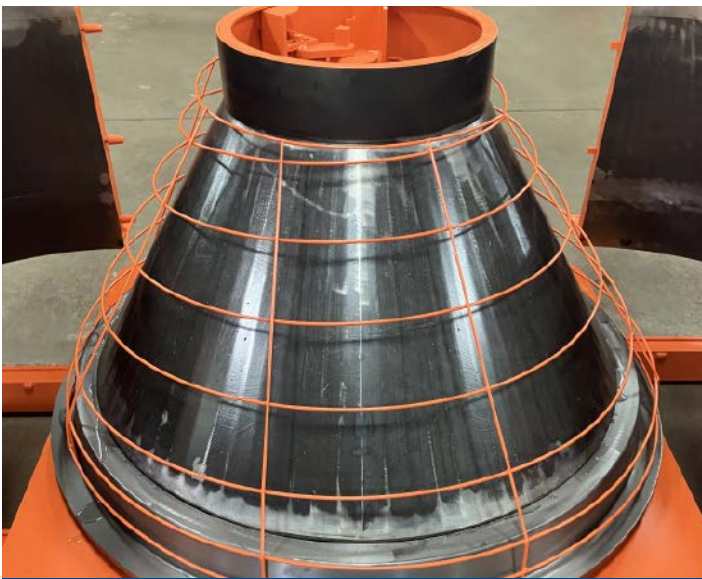
With decades of experience in the pipe and precast concrete markets, we provide manufacturers around the world with the gold standard in precast concrete product production equipment, highly engineered drycast and wetcast forms and a wide variety of concrete accessories.

Our combined strengths mean more concrete machinery engineering resources, manufacturing know-how and pipe and precast concrete industry experience is ready to help you create the ideal production systems for your infrastructural concrete product needs.

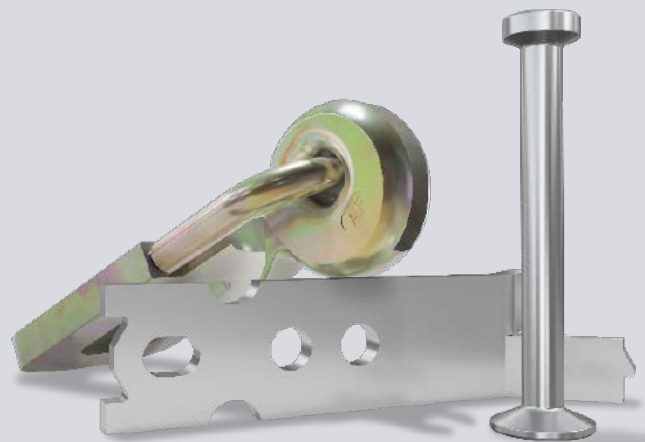


CurePak® Curing Systems

- NextGen and basic direct-fired steam generators
- Controls and airflow systems
- Misting and drying components
- Kilns, piping, moving floors
- Dedicated tech team and service



Made in the USA Cone Cages



Lifting Anchors, Fixation Inserts and other precast accessories



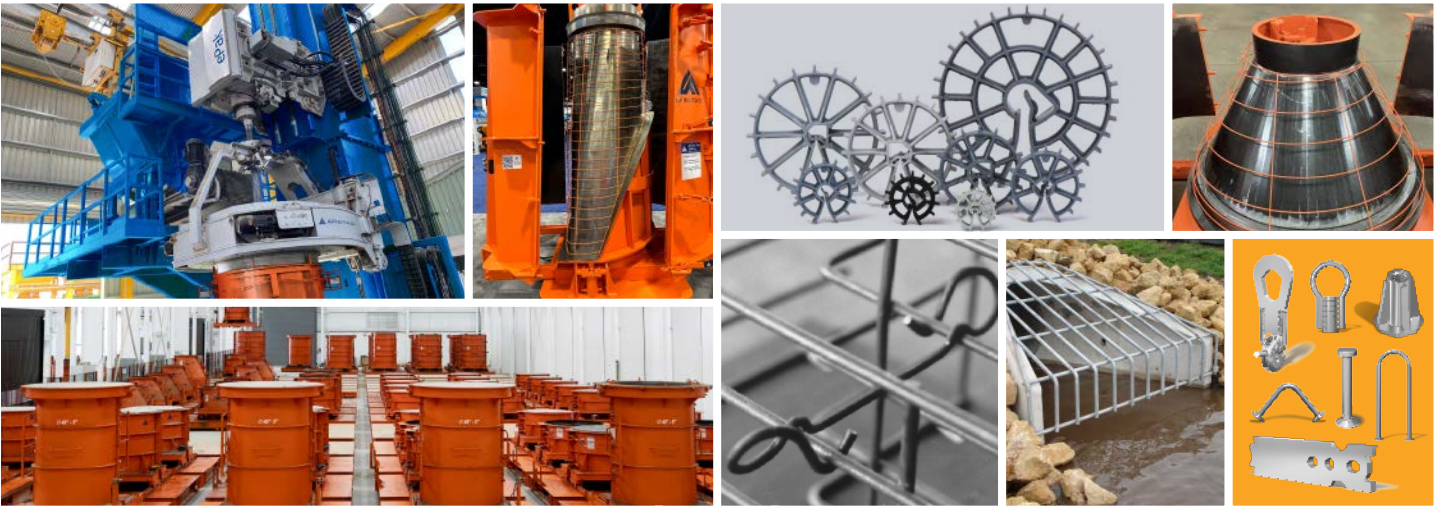
Box Forming Systems

Intelligent Infrastructure Solutions

Equipment & Automation



Concrete Accessories



Visit www.afinitas.com to learn more.

Afinitas Equipment & Automation Division

506 S. Wapello St., Mediapolis, Iowa 52637

Machines/Automation/ Drycast Forms

Phone: +1 319-394-3197
info@afinitas.com

Wetcast Forms

Phone: +1 641-394-4111
rfq@afinitas.com

Parts

Phone: +1 319-394-2240
aftermarket-na@afinitas.com

Service

Phone: +1 319-394-2270
service-na@afinitas.com



Intelligent Infrastructure Solutions

Afinitas is a global, comprehensive and customer-oriented equipment, automation, forming, accessories and services platform for precast concrete and infrastructural products.

Afinitas Equipment and Automation Division:
+1 641-394-4111 | rfq@afinitas.com | www.afinitas.com