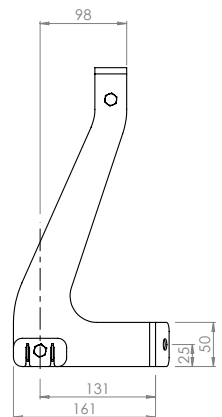
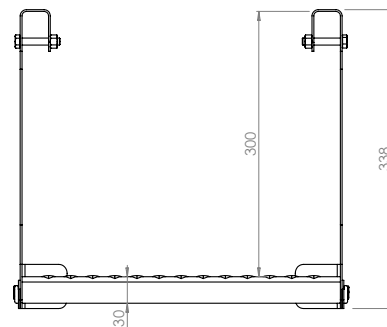
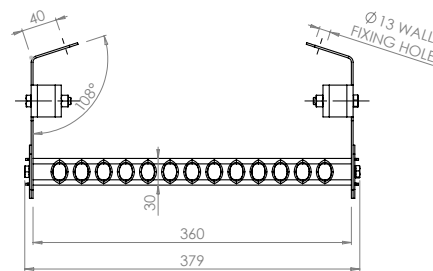
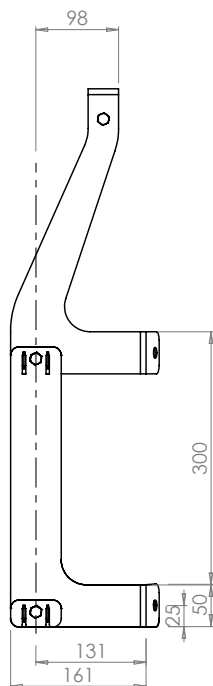
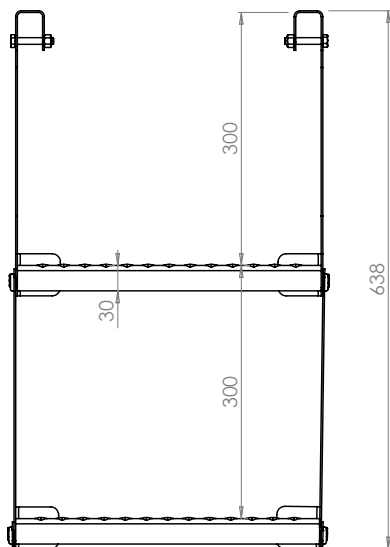
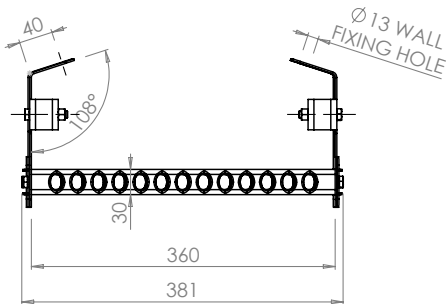
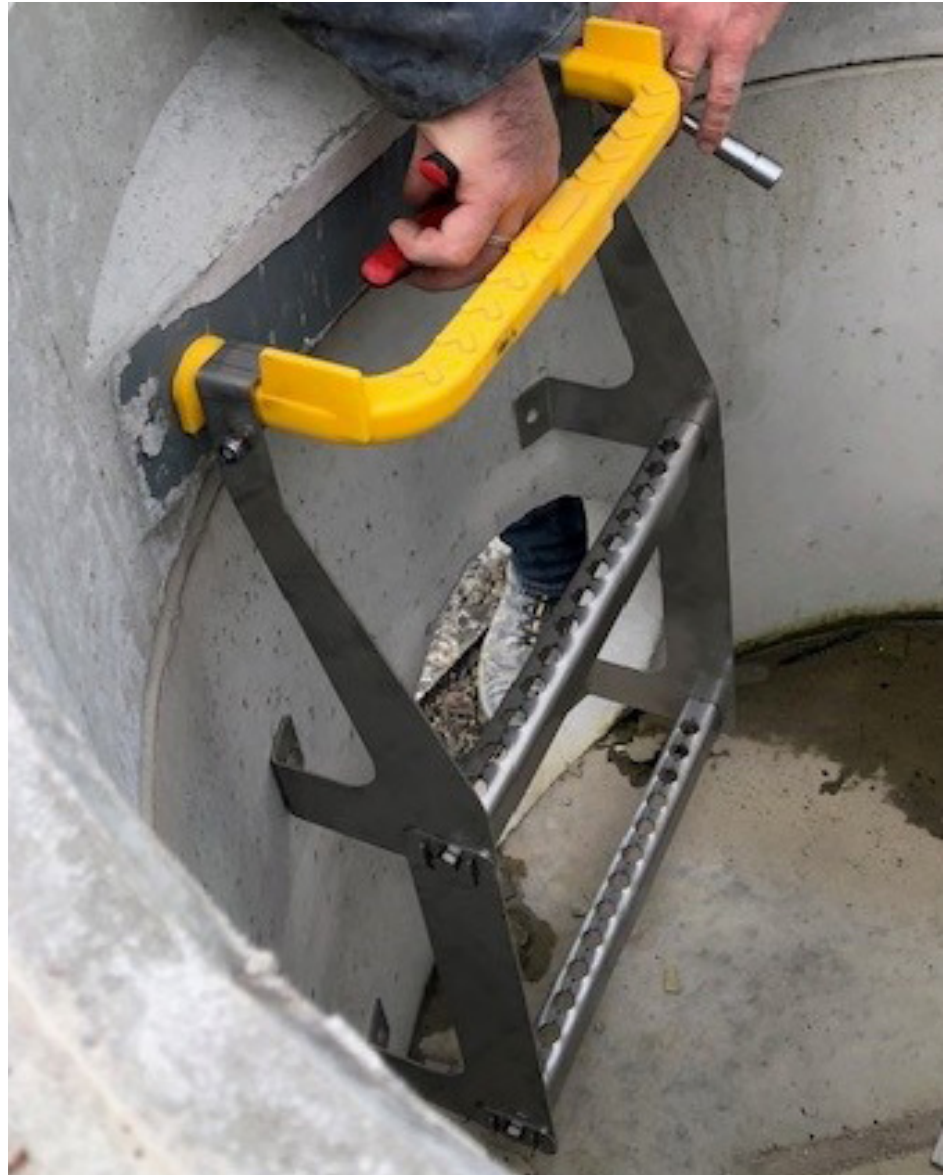


Description:

It is not always possible to know what the alignment between the manhole base and manhole shaft will be at the time that the manhole base is being manufactured. This prevents the manhole base manufacturer installing manhole steps into the base.

The manhole base ladder (Pazapa) allows one or two additional rungs to be hung from the lowest step in the manhole shaft to provide access into the manhole base which is correctly aligned horizontally and spaced vertically with the rungs. The pazapa is secured to the manhole base with the contractors preferred fixings and manufactured from 304 stainless steel for durability.



SL102: Hanging Ladder 330 x 300 double rung

SL101: Hanging Ladder 330 x 300 single rung