



SmartJax™

Adjustable Magnetic Support
Stand for Wetcast Pallets



Intelligent Forming System Tool

- Increase safety
- Improve productivity
- Strong construction – built to last



SmartJax™
Intelligent Design to Improve
Your Production Process

Pallets play a crucial role in precast concrete product manufacturing. They are the base for concrete forms and provide a stable and level platform for casting. For this reason, it is extremely important that pallets are well-supported to mitigate safety risks and

maintain product integrity. Despite the importance of well-supported pallets, many producers have traditionally relied upon on homemade methods or multi-step processes that can be unreliable and labor intensive. **Until now!**

Introducing SmartJax™ *

A revolutionary way to firmly stool up pallets inside concrete forms

Our **patent-pending SmartJax™** adjustable support stand offers many advantages over existing pallet support systems:

Simply Genius! - you will love the speed and convenience of having a single unit to support and secure your pallet. Stand and magnets all-in-one.

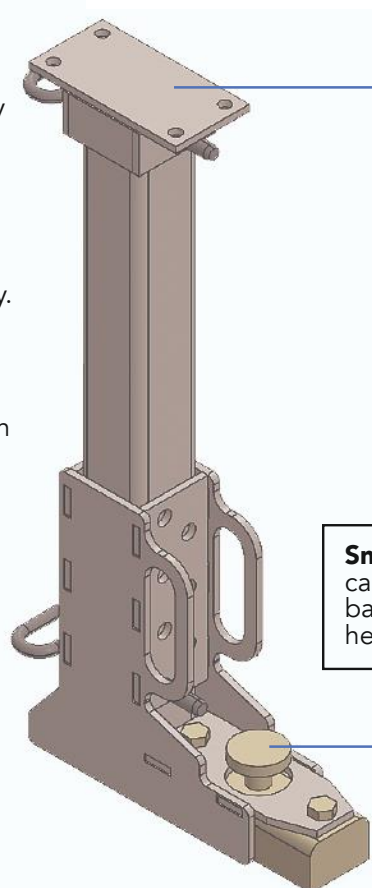
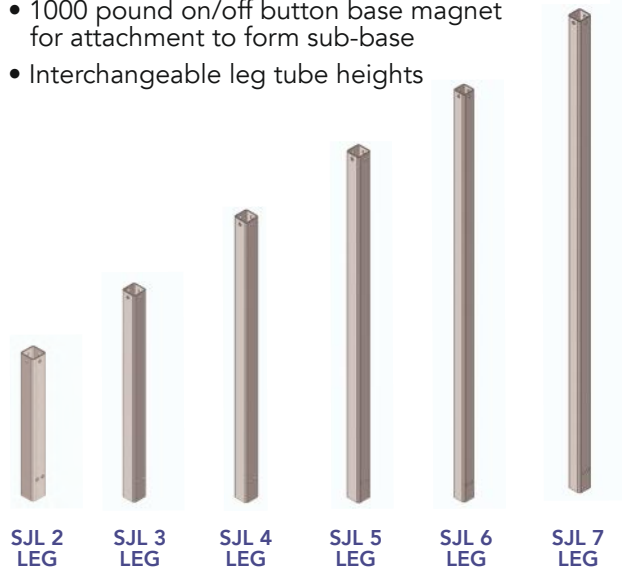
Safe - say goodbye to the splintering and unreliability of using wood pieces, PVC or hollow core concrete traditionally used as supports.

Strong - our stand is built to last as a heavy steel fabricated weldment.

Speedy - multiple hole locations in the support tube make pin-facilitated height adjustment quick and easy.

Product Highlights

- 6000 pound capacity**
- 12" overall height with adjustment from 12" to 23" in 1" increments – making it simple to size to your requirements
- 1000 pound on/off button base magnet for attachment to form sub-base
- Interchangeable leg tube heights



Top plate cap bracket

SJL 2	24" – 35"
SJL 3	36" – 47"
SJL 4	48" – 59"
SJL 5	60" – 71"
SJL 6	72" – 83"
SJL 7	84" – 95"

SmartJax™ features a top plate cap bracket and bottom magnetic base support stand with varying height tube legs.

Bottom magnetic base support stand

*Patent-pending

**Depending on pallet design, a minimum of 3 to 4 SmartJax™ (or more) are to be used at all times to support a flat pallet, pallet support stool, joint forming pallet or any combination along with the concrete load.

Previously designed or other equipment manufacturers flat pallets, pallet support stools and joint forming pallets may require higher quantity of SmartJax™ to be used.

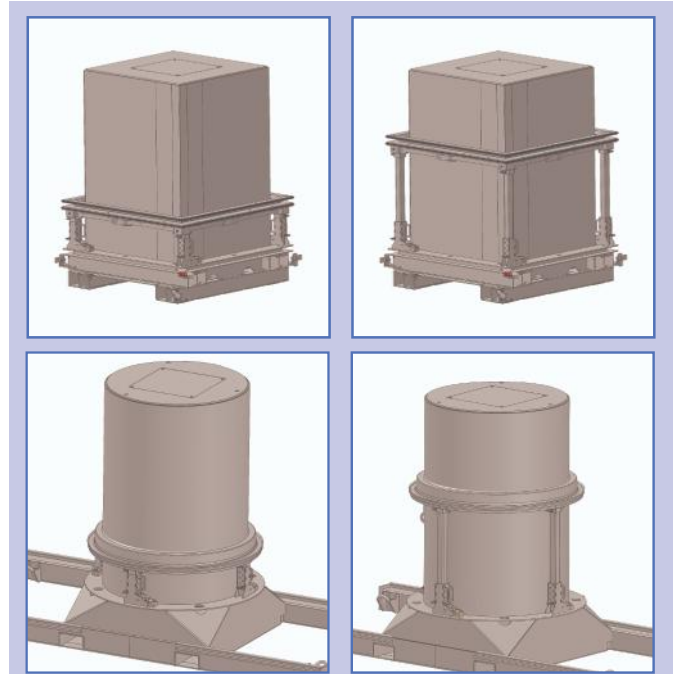


Perfect for Wetcast Manhole Forms and Boxes

SmartJax can be used with any form where the pallet needs to be stooled up!



SmartJax™ adjusts to a wide variety of heights.



SmartJax™ can be used on both box and round forms.



SmartJax™ pallet support on box form.



SmartJax™ adjustable magnetic support stand.



SmartJax™ pallet support on round form.

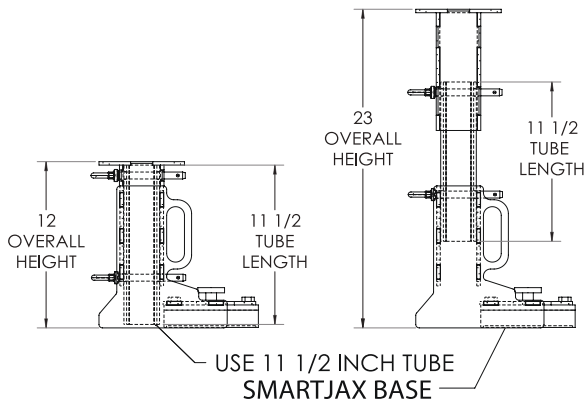


SmartJax™

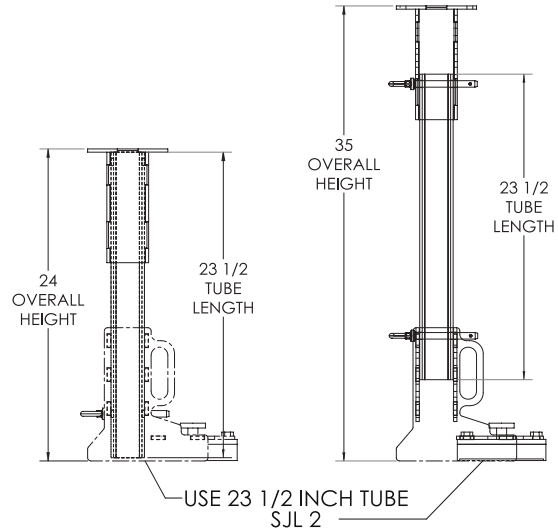
Stool Height by Tube Length

11 1/2", 23 1/2", 35 1/2"

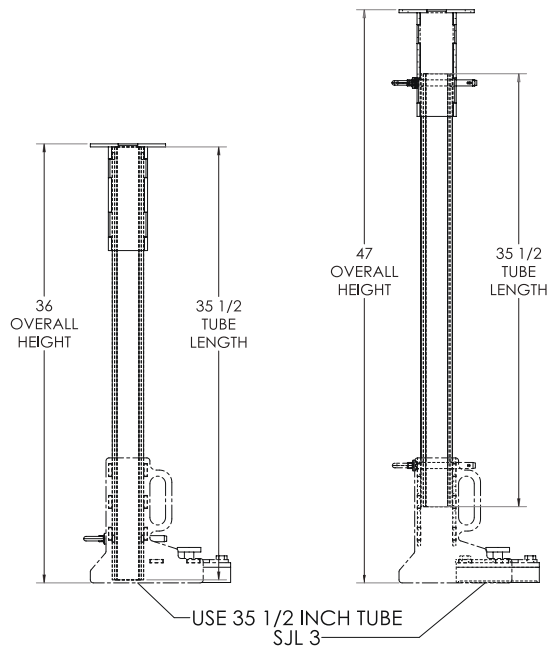
SHORT CAP	TALL CAP
11 1/2" TUBE	
12"	19"
13"	20"
14"	21"
15"	22"
16"	23"
17"	
18"	



SHORT CAP	TALL CAP
23 1/2" TUBE	
24"	24"
25"	25"
26"	26"
27"	27"
28"	28"
29"	29"
30"	30"
	31"
	32"
	33"
	34"
	35"



SHORT CAP	TALL CAP
35 1/2" TUBE	
36"	36"
37"	37"
38"	38"
39"	39"
40"	40"
41"	41"
42"	42"
	43"
	44"
	45"
	46"
	47"



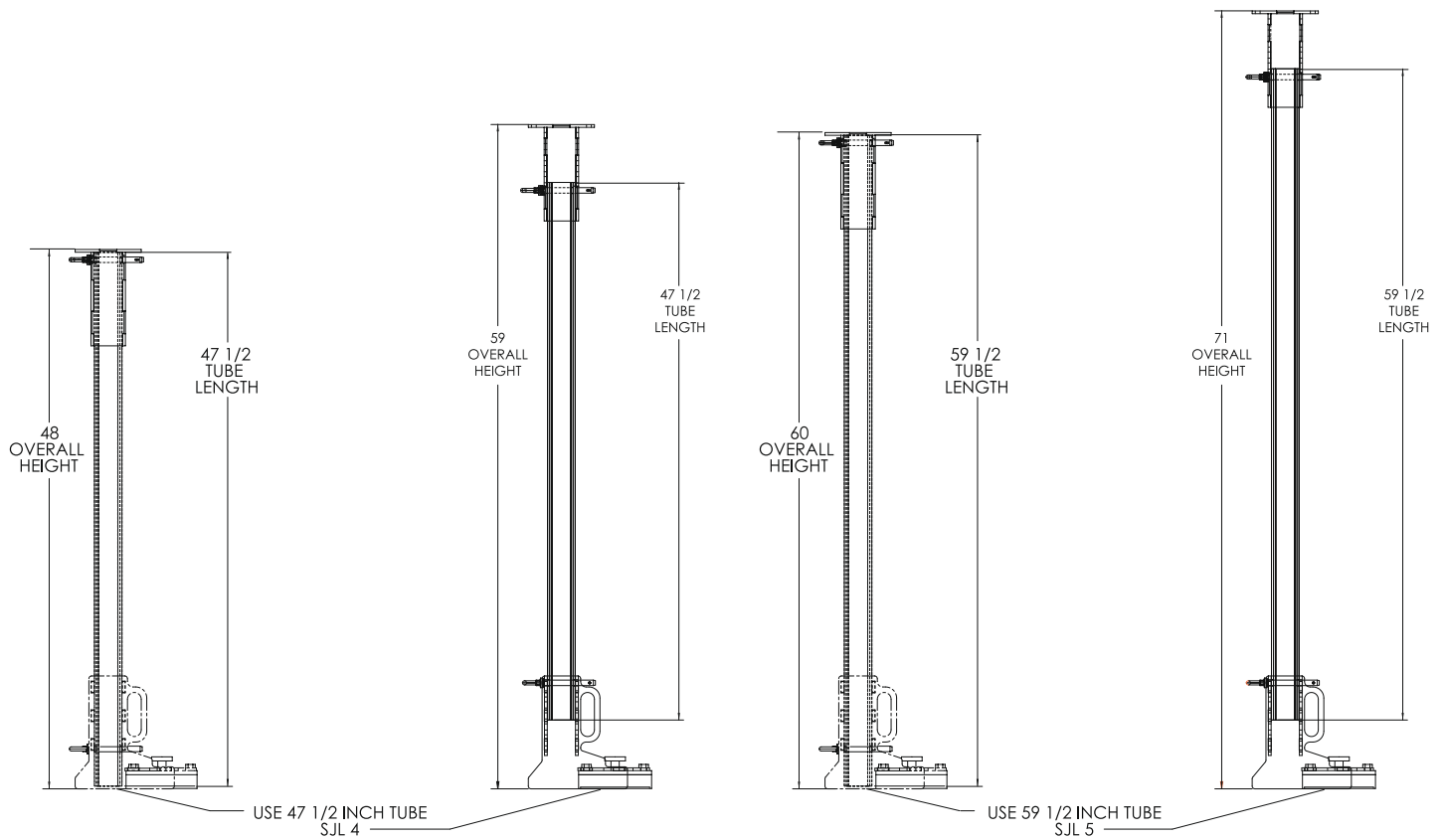


SmartJax™

Stool Height by Tube Length
Length 47 1/2", 59 1/2"

SHORT CAP	TALL CAP
47 1/2" TUBE	
48"	48"
49"	49"
50"	50"
51"	51"
52"	52"
53"	53"
54"	54"
	55"
	56"
	57"
	58"
	59"

SHORT CAP	TALL CAP
59 1/2" TUBE	
60"	60"
61"	61"
62"	62"
63"	63"
64"	64"
65"	65"
66"	66"
	67"
	68"
	69"
	70"
	71"



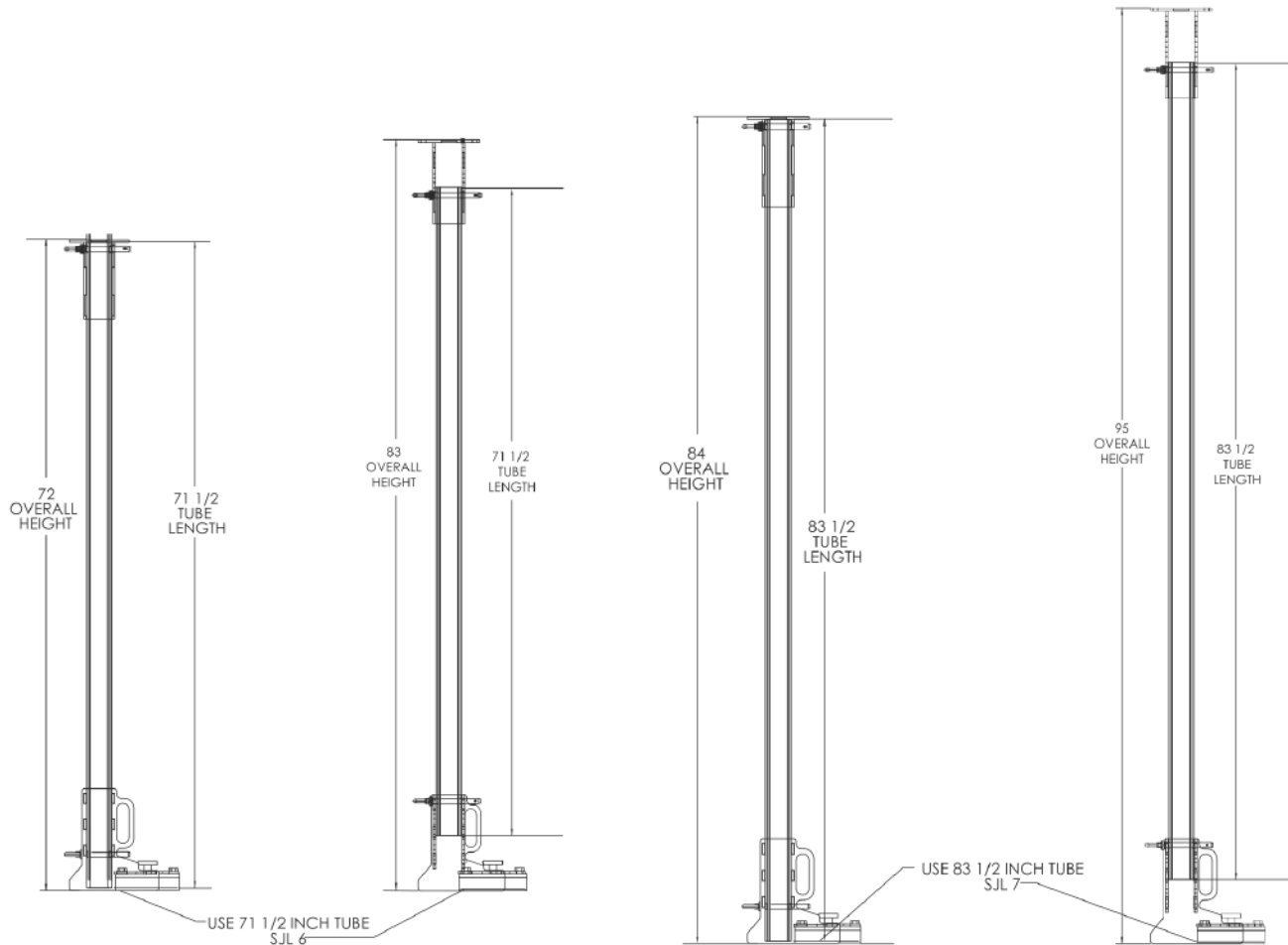


SmartJax™

Stool Height by Tube Length
71 1/2", 83 1/2"

SHORT CAP	TALL CAP
71 1/2" TUBE	
72"	72"
73"	73"
74"	74"
75"	75"
76"	76"
77"	77"
78"	78"
	79"
	80"
	81"
	82"
	83"

SHORT CAP	TALL CAP
83 1/2" TUBE	
84"	84"
85"	85"
86"	86"
87"	87"
88"	88"
89"	89"
90"	90"
	91"
	92"
	93"
	94"
	95"

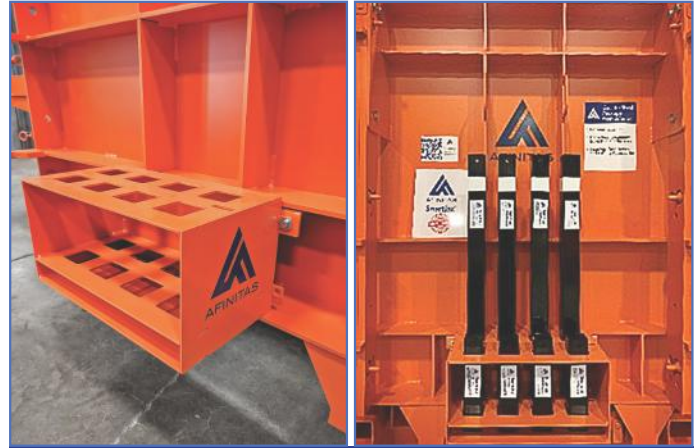




SmartJax™
Accessories



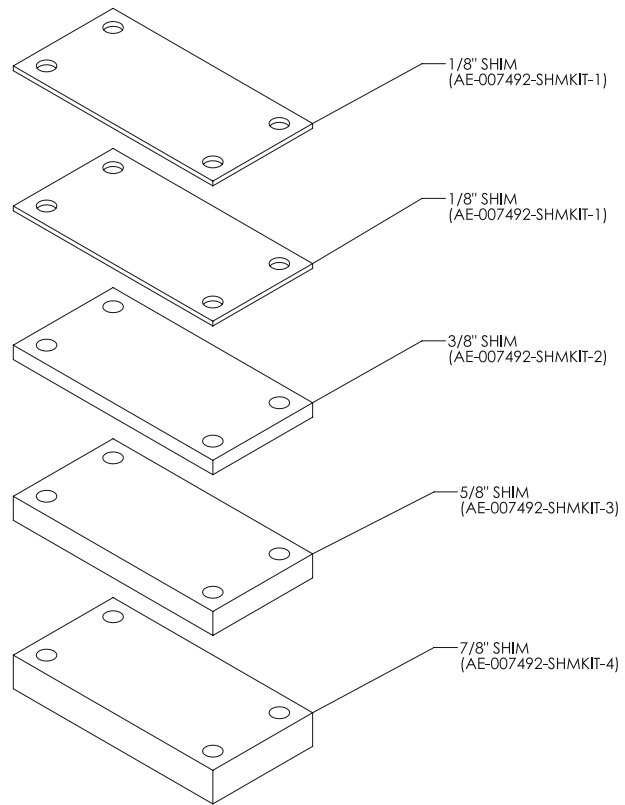
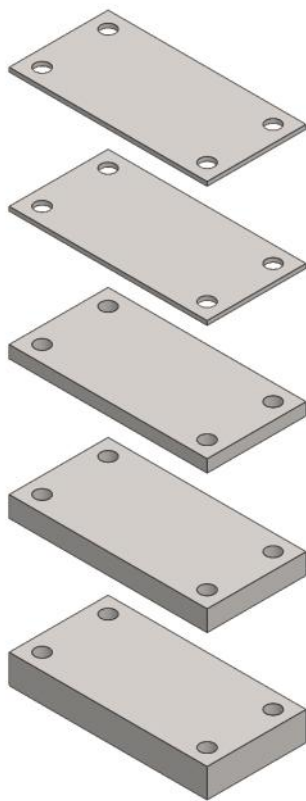
Magnet Tool



Leg Caddy

Shim Kit (AE-007492 SHMKIT)

Metal shims are material used to fill space between the SmartJax™ and pallet. They are used for leveling, adding support, or adjusting for better fit.





SmartJax™

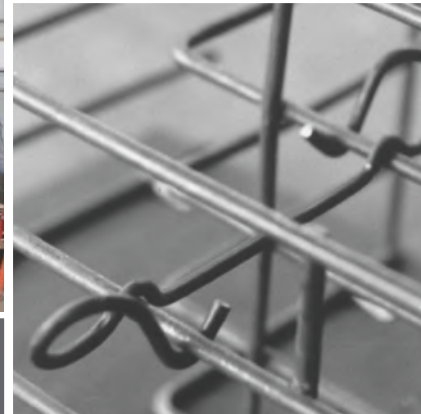
Adjustable Magnetic Support Stand for Wetcast Pallets

Equipment & Automation



Forming Systems

Concrete Accessories



Intelligent Infrastructure Solutions
Visit www.afinitas.com to learn more.

Afinitas Forming Systems Division

Iowa

928 W Milwaukee
New Hampton, IA 50659
Phone: 641-394-4111
Fax: 641-394-4542
rfq@afinitas.com

Ohio

1701 Moler Road
Columbus, OH 43207
Phone: 614-444-2184
rfq@afinitas.com



Intelligent Infrastructure Solutions

Afinitas is a global, comprehensive and customer-oriented equipment, automation, forming and accessories platform for precast concrete and infrastructural products.

Afinitas Forming Systems Division:
928 W. Milwaukee | New Hampton, IA 50659 USA | +1 641-394-4111 | rfq@afinitas.com | www.afinitas.com