



Made in the USA
Concrete Accessories



Let us help you meet BABA requirements

If you are facing Build America, Buy America (BABA) Act requirements, AFINITAS can help. We offer a wide variety of quality, Made in the USA products, including lifting devices, reinforcement cages, rebar mats, pipe ties-tie rods, grates, trash guards, spacers and more.

We use USA-steel and manufacture many of these products at our factory in Sleepy Eye, MN. In addition to complying with BABA, when you buy American you support domestic industry and have exceptional, local customer support.

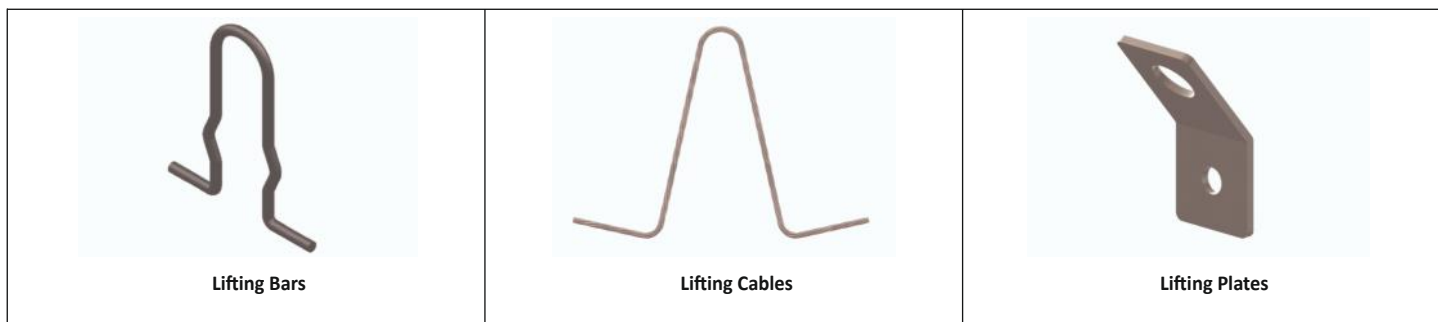
Don't see the product you need?

Email us at
accessories-info@afinitas.com
and we'll customize a solution for you.

Our Featured Made in the USA Products

Lifting Devices

Lift bars are designed to be cast into concrete for lifting slabs or structures. Can be made to your specifications upon request and design approval.



Rebar Mats

Typically made from A706 grade 60 rebar. We have the capability to custom design and manufacture rebar reinforcement products to meet your specific requirements.

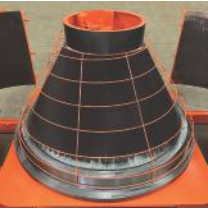

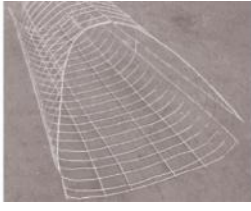




Our Featured Made in the USA Products

Reinforcement Cages

Prefabricated wire cages for manholes, round pipe flared ends, or span and elliptical pipe flared ends. Sold as formed, welded and ready to place in your concrete form.







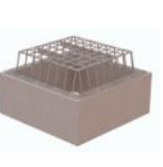

		
Manhole Riser Cage	Round Pipe Flared End Cage	Span and Elliptical Pipe Flared End Cage

Grates and Trash Guards

Typically made from galvanized steel but can be made from other materials such as aluminum or stainless steel. All grates can be customized as needed to meet your requirements.

					
Angle Grates	Cone Grates	Greta Grates	Pond Skimmers	Side Flow Grates	Triangle Grates

Box Culvert Grates

							
Angle Grates	Inlet Grates	Pond Skimmers	Raised Plate Grate	Side Grate Raised	Top Grate Flat	Top Grate Raised	Triangle Grate

Other Grates

						
Beaver Buster	Ladder Safety	Bell End	Del Dot	Outlet Screens	Barrel Pipe	Flared End Pipe Vehicle Safety

Guards









							
Bullnose Trash	CMP Trash	Del Dot Trash	Elliptical	Heavy, Span, Standard Trash	Illinois Trash - Naperville	Illinois Trash Standard	Plate Style Trash

Our Featured Made in the USA Products






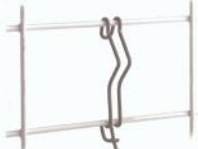







Pipe Ties – Tie Rods

Prefabricated wire cages for manholes, round pipe flared ends, or span and elliptical pipe flared ends. Sold as formed, welded and ready to place in your concrete form.

 Adjustable Tie Rod	 Extra-Long Tie Rods	 Iowa Style Tie Rods	 Hide Away Tie Rods
 Washington County Standoff Tie Rod	 Polk County Tie Rod	 Heavy-Duty Couplers	 Bell End Spacer

Drycast Spacers

Our spacers have been carefully designed to keep cages in place when jackets move up and down, cages twist over uneven form splices, and compaction forces exert tremendous pressure.

 BOX-LOK Weldless Double-Cage Box Spacers	 LEVER-LOK Double-Cage Spacers	 MAXI-JAX Single-Cage Spacers	 EZ-KLIP Single-Cage Spacers	 BOX SECTION Double-Cage Spacers	 Speed-KLIP Single-Cage Spacers
 TWIST-LOCK Single-Cage Spacers	 PRESS-LOCK Single-Cage Spacers	 CAM LOCK SPA-STIR Double-Cage Spacers	 FAS-V-LOK	 PYRAMID-LOK	

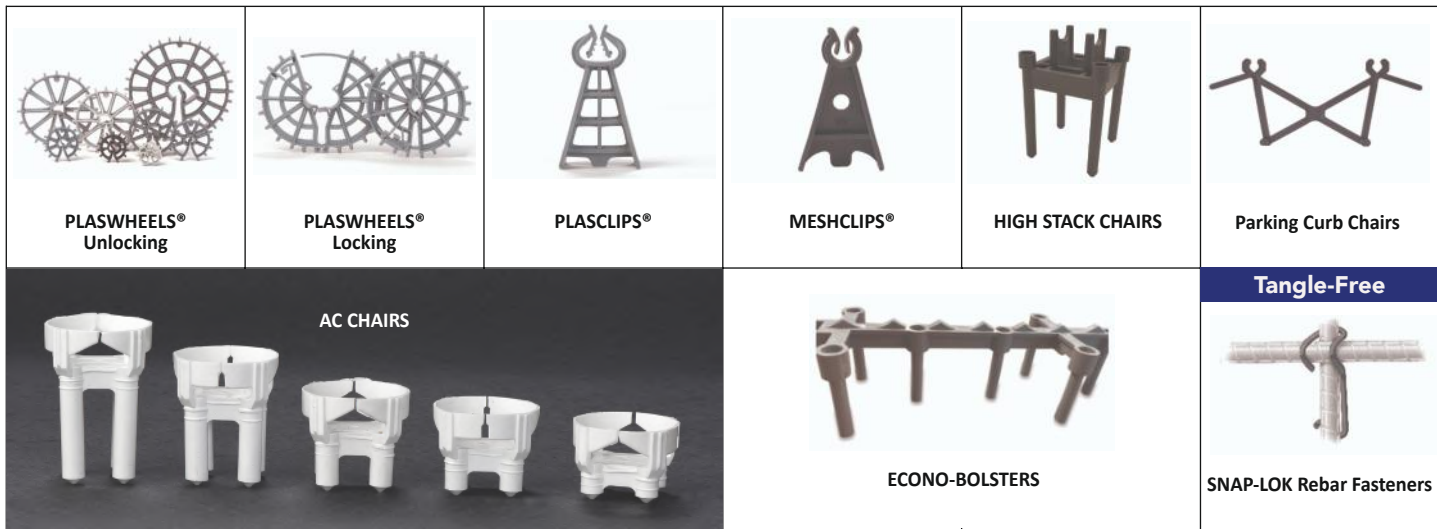


Our Featured Made in the USA Products

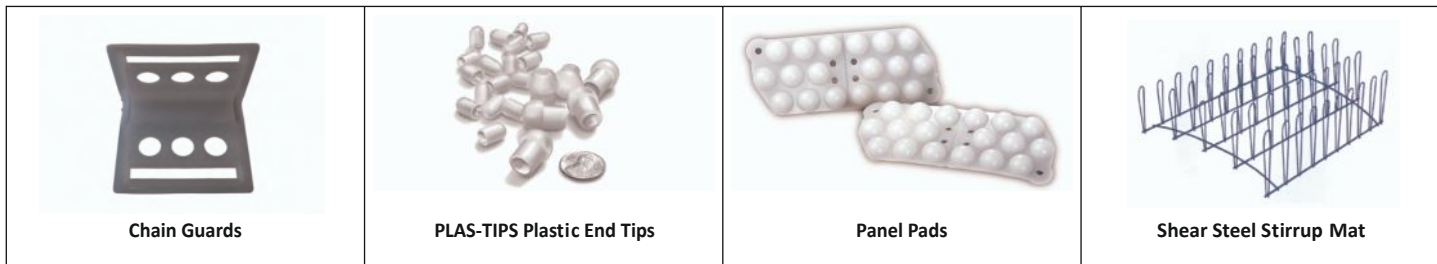


Wetcast Spacers

Wide variety of wheels, chairs, clips and more that are ideal for spacing either horizontal or vertical reinforcement in precast and most cast-in-place concrete construction applications.



Other Made in the USA Products



Don't see the product you need?

Email us at accessories-info@afinitas.com and we'll customize a solution for you



Intelligent
Infrastructure
Solutions

Concrete Accessories Division: 8027 Forsyth Blvd. | St. Louis, MO 63105 | +1 314-726-2178
Steel Spacers: 800-626-1451 | Plastic Spacers: 800-443-6767 | Made in USA Rebar Mats,
Wire Cages, Grates, Guards, Lifting Devices, Pipe Ties: 507-794-5821 | info@afinitas.com
www.afinitas.com